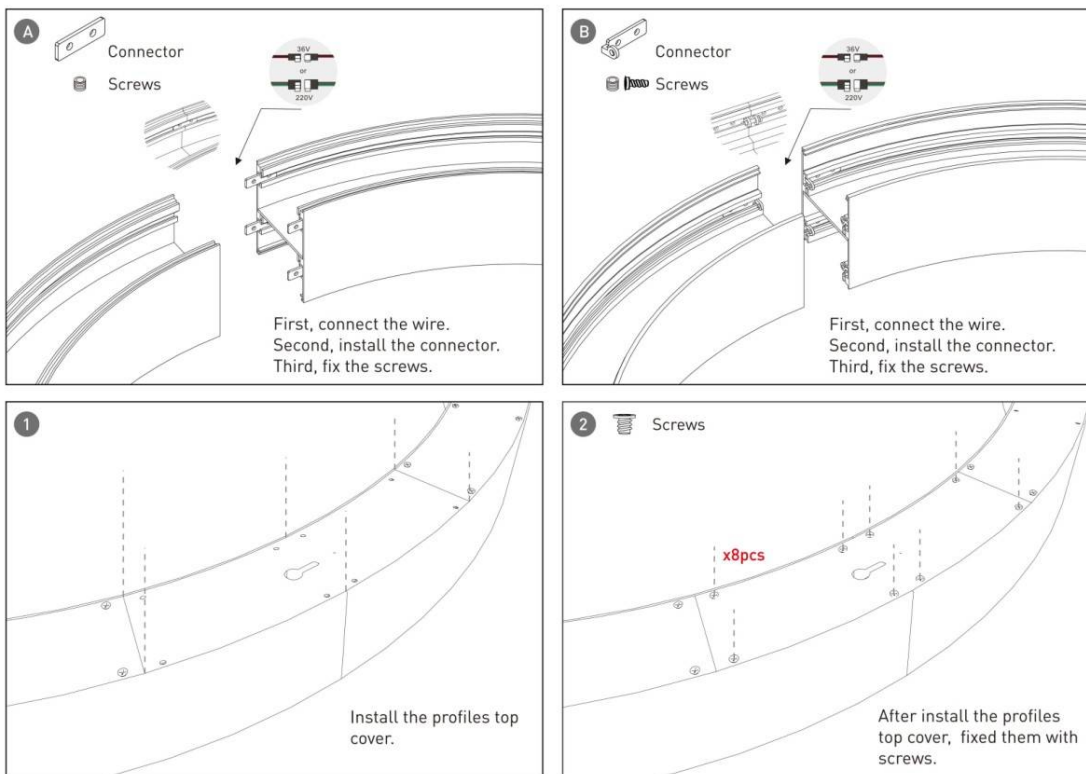
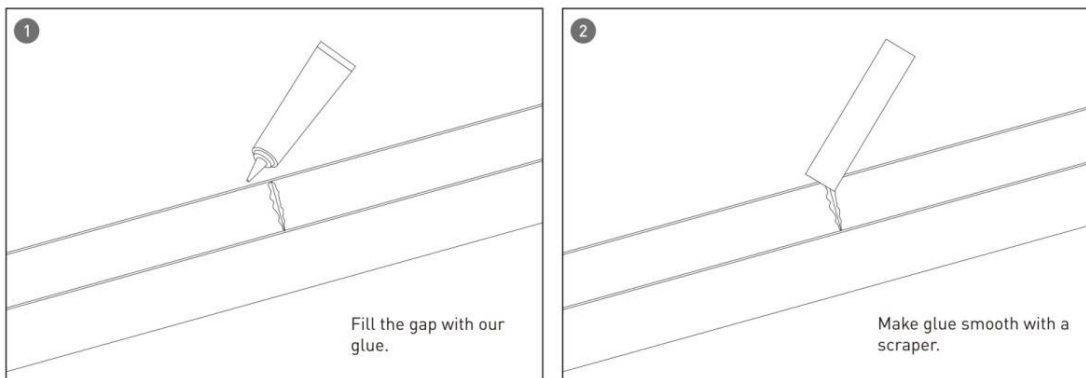


- Installation and wiring of luminaire must be in accordance with all applicable local codes.
- Installation, inspection, and maintenance of luminaires should be performed by a qualified electrician.
- DO NOT make or alter any open holes in the luminaire. Do not modify the luminaire.
- DO NOT install damaged product.
- Make sure electrical power is OFF before and during installation and maintenance.
- Make sure the equipment is properly grounded.
- Make sure the supply voltage is same as the rated fixture voltage.

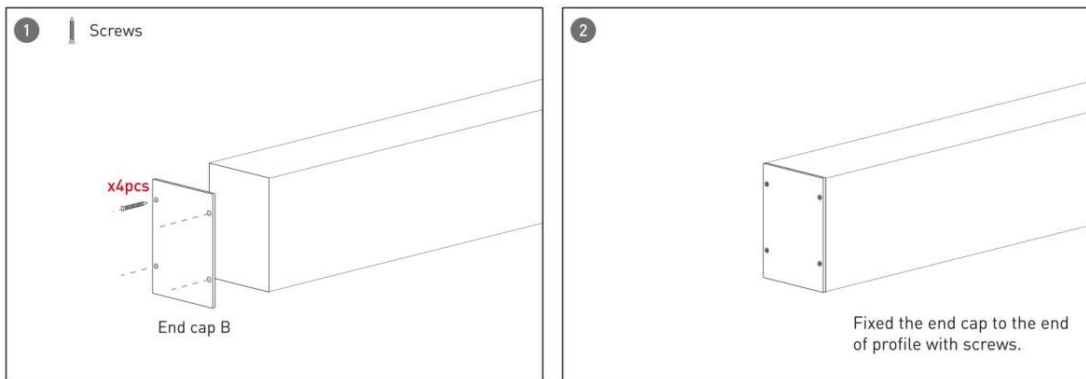
Installation-Profile connection



Installation-Cover

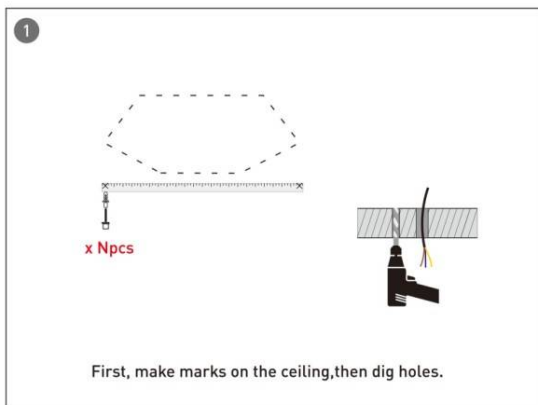


Installation-End cap



Installation-Screws ceiling

1



x Npcs

First, make marks on the ceiling, then dig holes.

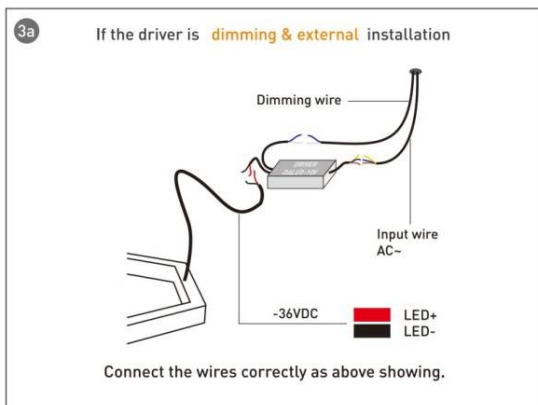
2



The lamp top cover.

3a

If the driver is **dimming & external** installation



Dimming wire

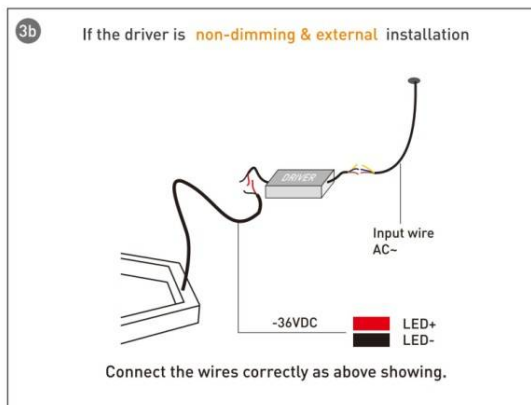
Input wire AC-

-36VDC LED+ LED-

Connect the wires correctly as above showing.

3b

If the driver is **non-dimming & external** installation

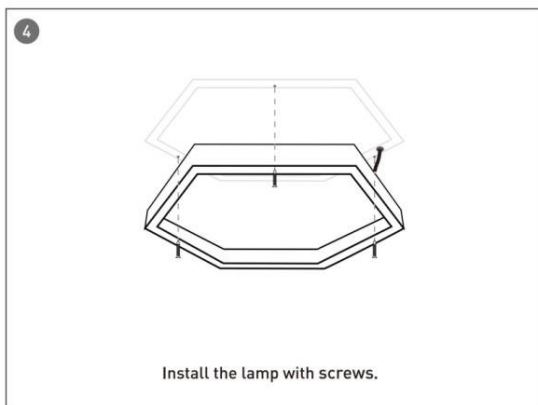


Input wire AC-

-36VDC LED+ LED-

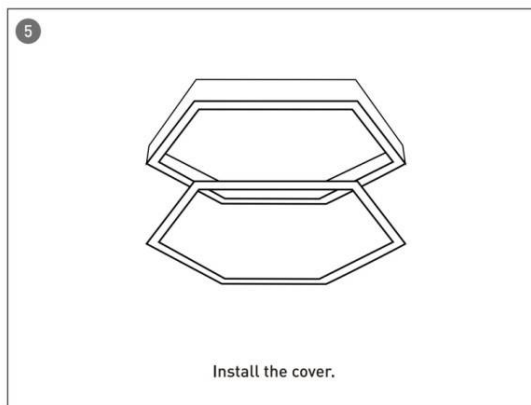
Connect the wires correctly as above showing.

4



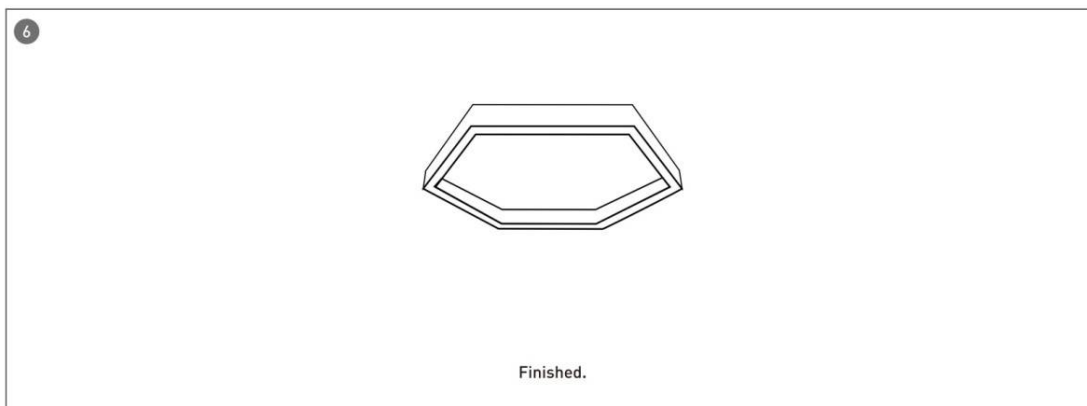
Install the lamp with screws.

5



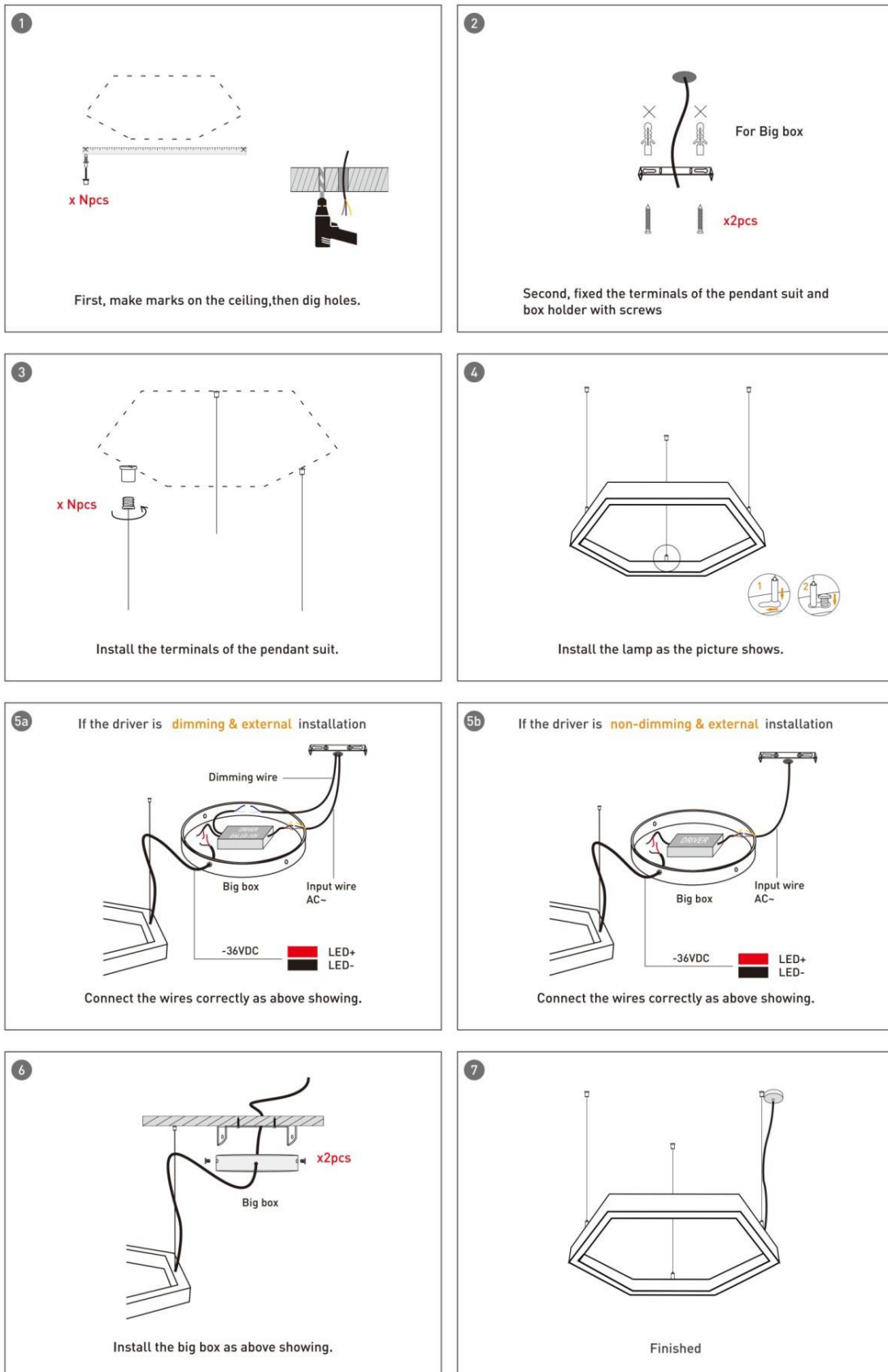
Install the cover.

6



Finished.

Installation-Pendant with ceiling box



Installation-C Clip ceiling

