



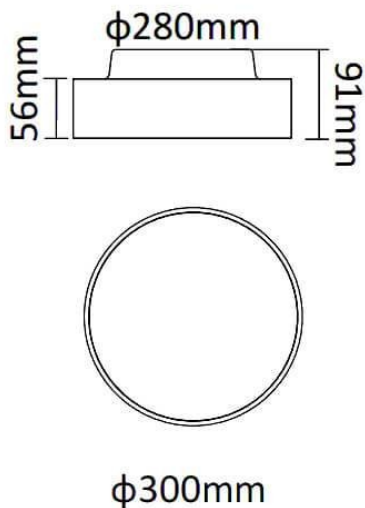
FLYING R

Lavov architectural luminaire from the family FLYING R with a power of 25W and an optics 90 degrees beam angle with UGR19. CCT 3000K. With a total lumen output of 2500lm and an efficacy of 100lm/W . Made in Aluminium housing and PC diffuser and finished in grey color. ON-OFF driver.

Dimensions

Product dimensions (mm) diam 300x91 mm

Scheme



Item code	86.A007.1331.03
Product type	Indoor
Category	Architectural luminaires
Family	FLYING
Subfamily	FLYING R
Pictograms	

Product	
Real power (W)	25
Real luminous flux (Lm)	2500
Luminous efficiency (Lm/W)	100
Beam angle (º)	90
Colour	grey
Chip Brand	Samsung
Control gear included	yes
Control gear	ON-OFF
Power Factor	>0,96
Flicker Free	yes
Average life time (h)	L80 B20, 50,000hrs
Colour temperature (K)	3000K
Colour consistency (SDCM)	SDCM<4
CRI	80