



### FLYING R

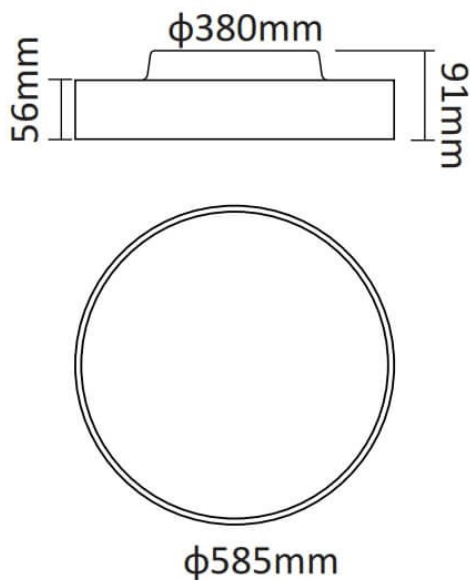
Lavov architectural luminaire from the family FLYING R with a power of 60W and an optics 90 degrees beam angle with UGR19. CCT 4000K. With a total lumen output of 6000lm and an efficacy of 100lm/W . Made in Aluminium housing and PC diffuser and finished in grey color. DALI driver.

<b>Item code</b>	<b>86.A007.4433.03</b>
<b>Product type</b>	<b>Indoor</b>
<b>Category</b>	<b>Architectural luminaires</b>
<b>Family</b>	<b>FLYING</b>
<b>Subfamily</b>	<b>FLYING R</b>
<b>Pictograms</b>	

### Dimensions

**Product dimensions (mm)**      **diam 585x91mm**

### Scheme



### Product

<b>Real power (W)</b>	<b>60</b>
<b>Real luminous flux (Lm)</b>	<b>6000</b>
<b>Luminous efficiency (Lm/W)</b>	<b>100</b>
<b>Beam angle (°)</b>	<b>90</b>
<b>Colour</b>	<b>grey</b>
<b>Chip Brand</b>	<b>Samsung</b>
<b>Control gear included</b>	<b>yes</b>
<b>Control gear</b>	<b>DALI</b>
<b>Power Factor</b>	<b>&gt;0,96</b>
<b>Flicker Free</b>	<b>yes</b>
<b>Light source</b>	<b>LED</b>
<b>Type of LED</b>	<b>SMD</b>
<b>Average life time (h)</b>	<b>L80 B20, 50,000hrs</b>
<b>Colour temperature (K)</b>	<b>4000K</b>
<b>Colour consistency (SDCM)</b>	<b>SDCM4</b>
<b>CRI</b>	<b>80</b>