



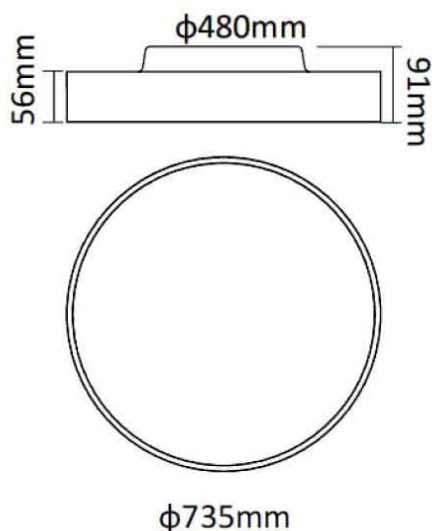
### FLYING R

Lavov architectural luminaire from the family FLYING R with a power of 80W and an optics 90 degrees beam angle with UGR19. CCT 4000K. With a total lumen output of 8000lm and an efficacy of 100lm/W . Made in Aluminium housing and PC diffuser and finished in grey color. DALI driver.

#### Dimensions

Product dimensions (mm)      diam 735x91 mm

#### Scheme



|              |                          |
|--------------|--------------------------|
| Item code    | 86.A007.5433.03          |
| Product type | Indoor                   |
| Category     | Architectural luminaires |
| Family       | FLYING                   |
| Subfamily    | FLYING R                 |
| Pictograms   |                          |

|                            |                    |
|----------------------------|--------------------|
| Product                    |                    |
| Real power (W)             | 80                 |
| Real luminous flux (Lm)    | 8000               |
| Luminous efficiency (Lm/W) | 100                |
| Beam angle (°)             | 90                 |
| Colour                     | grey               |
| Chip Brand                 | Samsung            |
| Control gear included      | yes                |
| Control gear               | DALI               |
| Power Factor               | >0,96              |
| Flicker Free               | yes                |
| Average life time (h)      | L80 B20, 50,000hrs |
| Colour temperature (K)     | 4000K              |
| Colour consistency (SDCM)  | SDCM<4             |
| CRI                        | 80                 |