

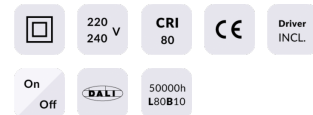


BATH-D

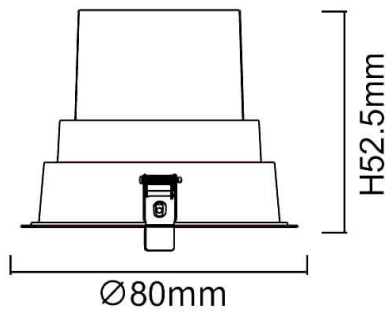
Lavov Downlights from the family BATH-D ,power 9 W and CRI 80 with an optic 38 degrees made in Die Cast Aluminum finished in White with a real lumen output of 720lm and an efficiency of 80lm/W. ON/OFF driver.

Item code	86.D002.1421.01
Product type	Indoor
Category	Downlights
Family	BATH-D

Pictograms



Scheme



Product	
Real power (W)	9
Real luminous flux (Lm)	720
Luminous efficiency (Lm/W)	80
Beam angle (&ordm;)	38
Life time (h)	50000 h L80B10
IP	65
Electrical class insulation	Clas II
Colour	White
Control gear included	Yes
Control gear	ON/OFF
Flicker Free	Yes
Light source	LED
Type of LED	COB
Colour temperature (K)	4000
Colour consistency (SDCM)	SDCM<3
CRI	80