
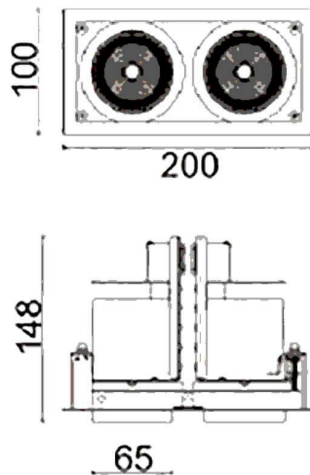


**D-TUBE2**

Lavov Downlights from the family D-TUBE2 ,power 36 W and CRI 80 with an optic 24 degrees made in Die Cast Aluminum finished in White with a real lumen output of 2800lm and an efficiency of 77,77lm/W. ON/OFF driver.

Item code	86.D011.1321.01
Product type	Indoor
Category	Downlights
Family	D-TUBE
Subfamily	D-TUBE2
Pictograms	

Scheme

Product	
Real power (W)	36
Real luminous flux (Lm)	2800
Luminous efficiency (Lm/W)	77.77777777777999
Beam angle (°)	24
Life time (h)	50000 h L80B10
IP	20
Electrical class insulation	Clas II
Colour	White
Control gear included	Yes
Control gear	ON/OFF
Flicker Free	Yes
Light source	LED
Type of LED	COB
Colour temperature (K)	3000
Colour consistency (SDCM)	SDCM<3
CRI	80