
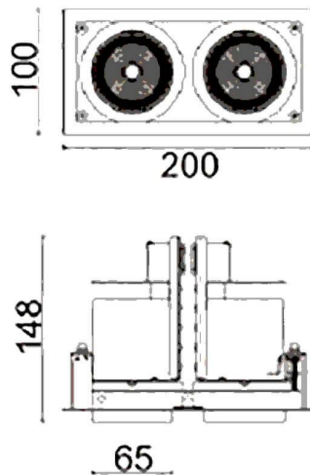


**D-TUBE2**

Lavov Downlights from the family D-TUBE2 ,power 36 W and CRI 80 with an optic 40 degrees made in Die Cast Aluminum finished in Black with a real lumen output of 2800lm and an efficiency of 77,77lm/W. DALI driver.

| | |
|--------------|---|
| Item code | 86.D011.1333.02 |
| Product type | Indoor |
| Category | Downlights |
| Family | D-TUBE |
| Subfamily | D-TUBE2 |
| Pictograms |  |

Scheme

| | |
|-----------------------------|-------------------|
| Product | |
| Real power (W) | 36 |
| Real luminous flux (Lm) | 2800 |
| Luminous efficiency (Lm/W) | 77.77777777777999 |
| Beam angle (°) | 40 |
| Life time (h) | 50000 h L80B10 |
| IP | 20 |
| Electrical class insulation | Clas II |
| Colour | Black |
| Control gear included | Yes |
| Control gear | DALI |
| Flicker Free | Yes |
| Light source | LED |
| Type of LED | COB |
| Colour temperature (K) | 3000 |
| Colour consistency (SDCM) | SDCM<3 |
| CRI | 80 |