
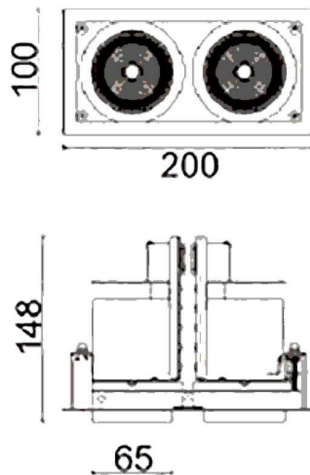


**D-TUBE2**

Lavov Downlights from the family D-TUBE2 ,power 36 W and CRI 80 with an optic 40 degrees made in Die Cast Aluminum finished in White with a real lumen output of 2860lm and an efficiency of 79,44lm/W. DALI driver.

Item code	86.D011.1433.01
Product type	Indoor
Category	Downlights
Family	D-TUBE
Subfamily	D-TUBE2
Pictograms	

Scheme

Product	
Real power (W)	36
Real luminous flux (Lm)	2860
Luminous efficiency (Lm/W)	79.444444444444002
Beam angle (°)	40
Life time (h)	50000 h L80B10
IP	20
Electrical class insulation	Clas II
Colour	White
Control gear included	Yes
Control gear	DALI
Flicker Free	Yes
Light source	LED
Type of LED	COB
Colour temperature (K)	4000
Colour consistency (SDCM)	SDCM<3
CRI	80