
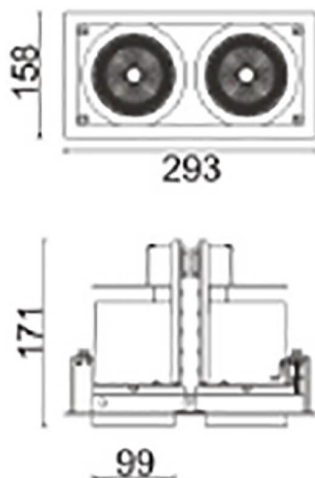


**D-TUBE2**

Lavov Downlights from the family D-TUBE2 ,power 70 W and CRI 80 with an optic 40 degrees made in Die Cast Aluminum finished in Black with a real lumen output of 6140lm and an efficiency of 87,71lm/W. DALI driver.

<b>Item code</b>	<b>86.D011.3433.02</b>
<b>Product type</b>	<b>Indoor</b>
<b>Category</b>	<b>Downlights</b>
<b>Family</b>	<b>D-TUBE</b>
<b>Subfamily</b>	<b>D-TUBE2</b>
<b>Pictograms</b>	

**Scheme**

<b>Product</b>	
<b>Real power (W)</b>	<b>70</b>
<b>Real luminous flux (Lm)</b>	<b>6140</b>
<b>Luminous efficiency (Lm/W)</b>	<b>87.714285714286007</b>
<b>Beam angle (°)</b>	<b>40</b>
<b>Life time (h)</b>	<b>50000 h L80B10</b>
<b>IP</b>	<b>20</b>
<b>Electrical class insulation</b>	<b>Clas II</b>
<b>Colour</b>	<b>Black</b>
<b>Control gear included</b>	<b>Yes</b>
<b>Control gear</b>	<b>DALI</b>
<b>Flicker Free</b>	<b>Yes</b>
<b>Light source</b>	<b>LED</b>
<b>Type of LED</b>	<b>COB</b>
<b>Colour temperature (K)</b>	<b>4000</b>
<b>Colour consistency (SDCM)</b>	<b>SDCM&lt;3</b>
<b>CRI</b>	<b>80</b>