


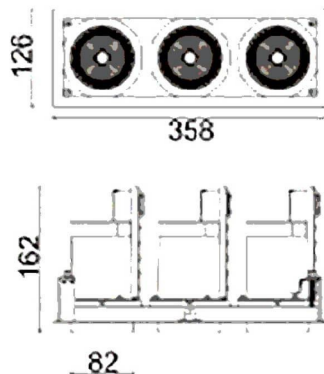


D-TUBE3

Lavov Downlights from the family D-TUBE3 ,power 90 W and CRI 80 with an optic 12 degrees made in Die Cast Aluminum finished in White with a real lumen output of 7290lm and an efficiency of 81lm/W. DALI driver.

Item code	86.D012.2313.01
Product type	Indoor
Category	Downlights
Family	D-TUBE
Subfamily	D-TUBE3
Pictograms	

Scheme



Product	
Real power (W)	90
Real luminous flux (Lm)	7290
Luminous efficiency (Lm/W)	81
Beam angle (°)	12
Life time (h)	50000 h L80B10
IP	20
Electrical class insulation	Clas II
Colour	White
Control gear included	Yes
Control gear	DALI
Flicker Free	Yes
Light source	LED
Type of LED	COB
Colour temperature (K)	3000
Colour consistency (SDCM)	SDCM<3
CRI	80