
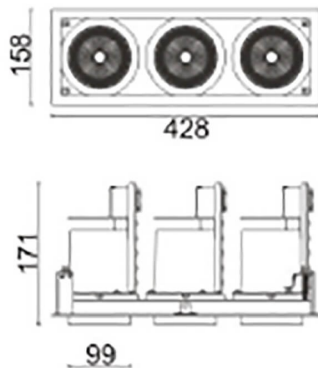


**D-TUBE3**

Lavov Downlights from the family D-TUBE3 ,power 105 W and CRI 80 with an optic 40 degrees made in Die Cast Aluminum finished in Black with a real lumen output of 9210lm and an efficiency of 87,71lm/W. DALI driver.

|                     |   |
|---------------------|---|
| <b>Item code</b>    | <b>86.D012.3433.02</b>  |
| <b>Product type</b> | <b>Indoor</b>   |
| <b>Category</b>     | <b>Downlights</b>   |
| <b>Family</b>       | <b>D-TUBE</b>   |
| <b>Subfamily</b>    | <b>D-TUBE3</b>  |
| <b>Pictograms</b>   |  |

**Scheme**

|                                    |                           |
|------------------------------------|---------------------------|
| <b>Product</b>                     |                           |
| <b>Real power (W)</b>              | <b>105</b>                |
| <b>Real luminous flux (Lm)</b>     | <b>9210</b>               |
| <b>Luminous efficiency (Lm/W)</b>  | <b>87.714285714286007</b> |
| <b>Beam angle (°)</b>              | <b>40</b>                 |
| <b>Life time (h)</b>               | <b>50000 h L80B10</b>     |
| <b>IP</b>                          | <b>20</b>                 |
| <b>Electrical class insulation</b> | <b>Clas II</b>            |
| <b>Colour</b>                      | <b>Black</b>              |
| <b>Control gear included</b>       | <b>Yes</b>                |
| <b>Control gear</b>                | <b>DALI</b>               |
| <b>Flicker Free</b>                | <b>Yes</b>                |
| <b>Light source</b>                | <b>LED</b>                |
| <b>Type of LED</b>                 | <b>COB</b>                |
| <b>Colour temperature (K)</b>      | <b>4000</b>               |
| <b>Colour consistency (SDCM)</b>   | <b>SDCM&lt;3</b>          |
| <b>CRI</b>                         | <b>80</b>                 |