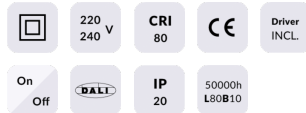


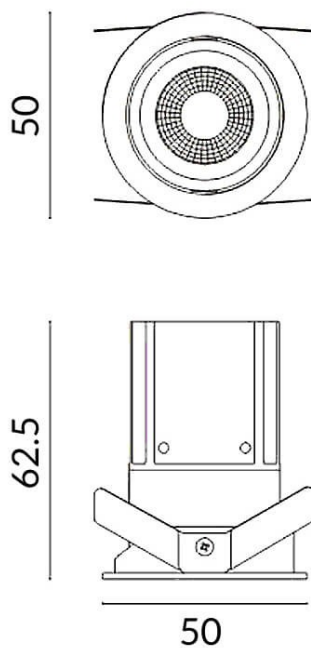


MINIPOINT-A

Lavov Downlights from the family MINIPOINT-A ,power 5 W and CRI 80 with an optic 40 degrees made in Die Cast Aluminum finished in Black with a real lumen output of 350lm and an efficiency of 70lm/W. DALI driver.

Item code	86.D019.1333.02
Product type	Indoor
Category	Downlights
Family	MINIPOINT
Subfamily	MINIPOINT-A
Pictograms	

Scheme



Product	
Real power (W)	5
Real luminous flux (Lm)	350
Luminous efficiency (Lm/W)	70
Beam angle (°)	40
Life time (h)	50000 h L80B10
IP	20
Electrical class insulation	Clas II
Colour	Black
Control gear included	Yes
Control gear	DALI
Flicker Free	Yes
Light source	LED
Type of LED	COB
Colour temperature (K)	3000
Colour consistency (SDCM)	SDCM<3
CRI	80