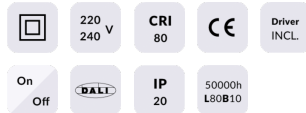


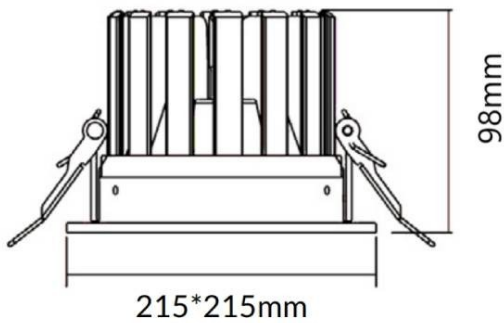


PERFORM-S

Lavov Downlights from the family PERFORM-S ,power 48 W and CRI 80 with an optic 100 degrees made in Die Cast Aluminum finished in White with a real lumen output of 4800lm and an efficiency of 100lm/W. DALI driver.

| | |
|--------------|---|
| Item code | 86.D023.3403.01 |
| Product type | Indoor |
| Category | Downlights |
| Family | PERFORM |
| Subfamily | PERFORM-S |
| Pictograms |  |

Scheme



| | |
|-----------------------------|----------------|
| Product | |
| Real power (W) | 48 |
| Real luminous flux (Lm) | 4800 |
| Luminous efficiency (Lm/W) | 100 |
| Beam angle (°) | 100 |
| Life time (h) | 50000 h L80B10 |
| IP | 20 |
| Electrical class insulation | Clas II |
| Colour | White |
| Control gear included | Yes |
| Control gear | DALI |
| Flicker Free | Yes |
| Light source | LED |
| Type of LED | SMD |
| Colour temperature (K) | 4000 |
| Colour consistency (SDCM) | SDCM3 |
| CRI | 80 |