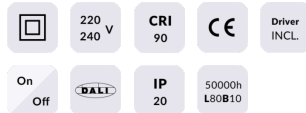


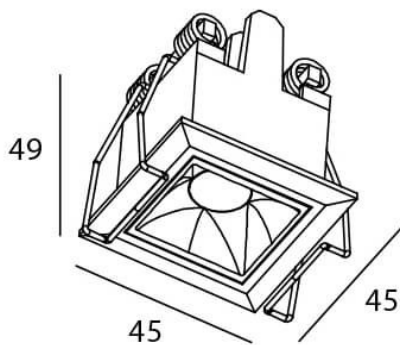


Star

Lavov downlight from the family STAR with a power of 2W and an optics 45 degrees . CCT 3000K. With a total lumen output of 140lm and a luminous efficiency of 70lm/W.ON/OFF driver. Made in die cast aluminum and finished in White color. UGR19.

Item code	86.D029.1331.01
Product type	Indoor
Category	Downlights
Family	STAR
Subfamily	Star
Pictograms	

Scheme



Product	
Real power (W)	2
Real luminous flux (Lm)	140
Luminous efficiency (Lm/W)	70
Beam angle (°)	45
Life time (h)	50000 h L80B10
IP	20
Electrical class insulation	Clas II
Colour	White
U. G. R	UGR<19
Control gear included	Yes
Control gear	ON/OFF
Flicker Free	Yes
Light source	LED
Type of LED	COB
Colour temperature (K)	3000
Colour consistency (SDCM)	SDCM<3
CRI	90