

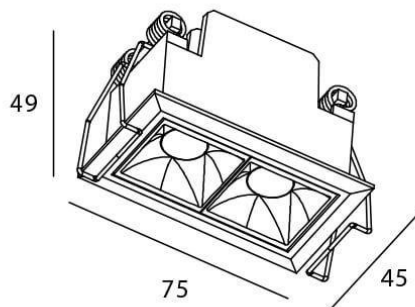


### Star

Lavov downlight from the family STAR with a power of 4W and an optics 15 degrees . CCT 3000K. With a total lumen output of 280lm and a luminous efficiency of 70lm/W.ON/OFF driver. Made in die cast aluminum and finished in White color. UGR19.

<b>Item code</b>	<b>86.D029.2311.01</b>
<b>Product type</b>	<b>Indoor</b>
<b>Category</b>	<b>Downlights</b>
<b>Family</b>	<b>STAR</b>
<b>Subfamily</b>	<b>Star</b>
<b>Pictograms</b>	

### Scheme



<b>Product</b>	
<b>Real power (W)</b>	<b>4</b>
<b>Real luminous flux (Lm)</b>	<b>280</b>
<b>Luminous efficiency (Lm/W)</b>	<b>70</b>
<b>Beam angle (°)</b>	<b>15</b>
<b>Life time (h)</b>	<b>50000 h L80B10</b>
<b>IP</b>	<b>20</b>
<b>Electrical class insulation</b>	<b>Clas II</b>
<b>Colour</b>	<b>White</b>
<b>U. G. R</b>	<b>UGR19</b>
<b>Control gear included</b>	<b>Yes</b>
<b>Control gear</b>	<b>ON/OFF</b>
<b>Flicker Free</b>	<b>Yes</b>
<b>Light source</b>	<b>LED</b>
<b>Type of LED</b>	<b>COB</b>
<b>Colour temperature (K)</b>	<b>3000</b>
<b>Colour consistency (SDCM)</b>	<b>SDCM3</b>
<b>CRI</b>	<b>90</b>