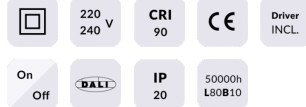


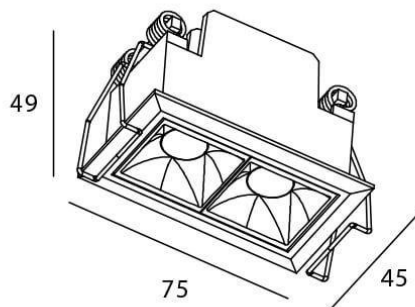


### Star

Lavov downlight from the family STAR with a power of 4W and an optics 30 degrees . CCT 3000K. With a total lumen output of 280lm and a luminous efficiency of 70lm/W.ON/OFF driver. Made in die cast aluminum and finished in Black color. UGR19.

|              |   |
|--------------|---|
| Item code    | 86.D029.2321.02   |
| Product type | Indoor  |
| Category     | Downlights  |
| Family       | STAR  |
| Subfamily    | Star  |
| Pictograms   |  |

### Scheme



|                             |                |
|-----------------------------|----------------|
| Product                     |                |
| Real power (W)              | 4              |
| Real luminous flux (Lm)     | 280            |
| Luminous efficiency (Lm/W)  | 70             |
| Beam angle (&ordm;)         | 30             |
| Life time (h)               | 50000 h L80B10 |
| IP                          | 20             |
| Electrical class insulation | Clas II        |
| Colour                      | Black          |
| U. G. R                     | UGR<19         |
| Control gear included       | Yes            |
| Control gear                | ON/OFF         |
| Flicker Free                | Yes            |
| Light source                | LED            |
| Type of LED                 | COB            |
| Colour temperature (K)      | 3000           |
| Colour consistency (SDCM)   | SDCM<3         |
| CRI                         | 90             |