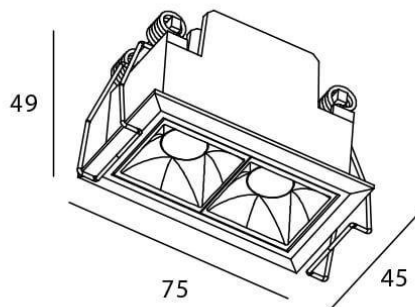




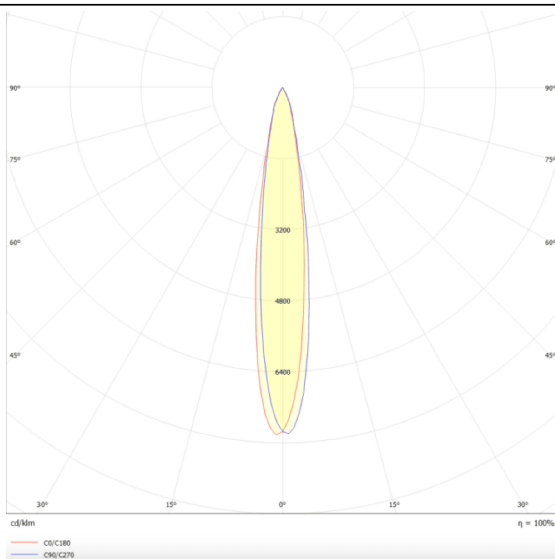
Star

Lavov downlight from the family STAR with a power of 4W and an optics 15 degrees . CCT 4000K. With a total lumen output of 280lm and a luminous efficiency of 70lm/W.DALI driver. Made in die cast aluminum and finished in White color. UGR19.

Scheme



Photometry



Item code	86.D029.2413.01
Product type	Indoor
Category	Downlights
Family	STAR
Subfamily	Star
Pictograms	

Product

Real power (W)	4
Real luminous flux (Lm)	280
Luminous efficiency (Lm/W)	70
Beam angle (º)	15
Life time (h)	50000 h L80B10
IP	20
Electrical class insulation	Clas II
Colour	White
U. G. R	UGR<19
Control gear included	Yes
Control gear	DALI
Flicker Free	Yes
Light source	LED
Type of LED	COB
Colour temperature (K)	4000
Colour consistency (SDCM)	SDCM<3
CRI	90