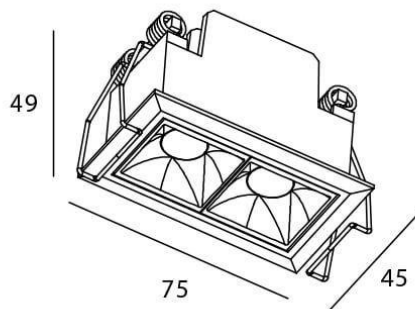




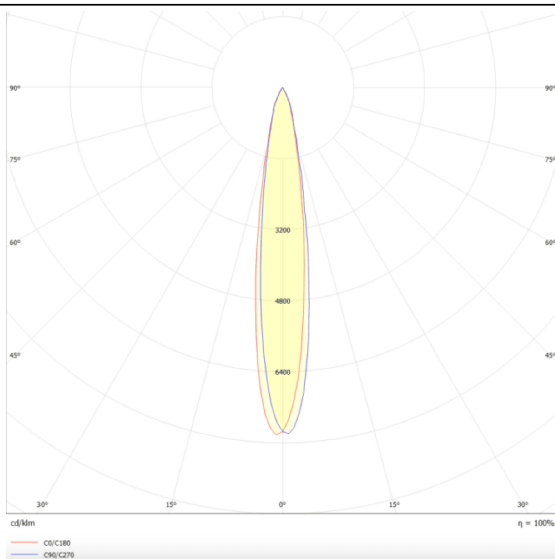
### Star

Lavov downlight from the family STAR with a power of 4W and an optics 15 degrees . CCT 4000K. With a total lumen output of 280lm and a luminous efficiency of 70lm/W.DALI driver. Made in die cast aluminum and finished in Black color. UGR19.

### Scheme



### Photometry



|              |                 |
|--------------|-----------------|
| Item code    | 86.D029.2413.02 |
| Product type | Indoor          |
| Category     | Downlights      |
| Family       | STAR            |
| Subfamily    | Star            |
| Pictograms   |                 |

### Product

|                             |                |
|-----------------------------|----------------|
| Real power (W)              | 4              |
| Real luminous flux (Lm)     | 280            |
| Luminous efficiency (Lm/W)  | 70             |
| Beam angle (&ordm;)         | 15             |
| Life time (h)               | 50000 h L80B10 |
| IP                          | 20             |
| Electrical class insulation | Clas II        |
| Colour                      | Black          |
| U. G. R                     | UGR<19         |
| Control gear included       | Yes            |
| Control gear                | DALI           |
| Flicker Free                | Yes            |
| Light source                | LED            |
| Type of LED                 | COB            |
| Colour temperature (K)      | 4000           |
| Colour consistency (SDCM)   | SDCM<3         |
| CRI                         | 90             |