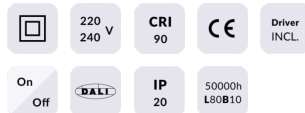


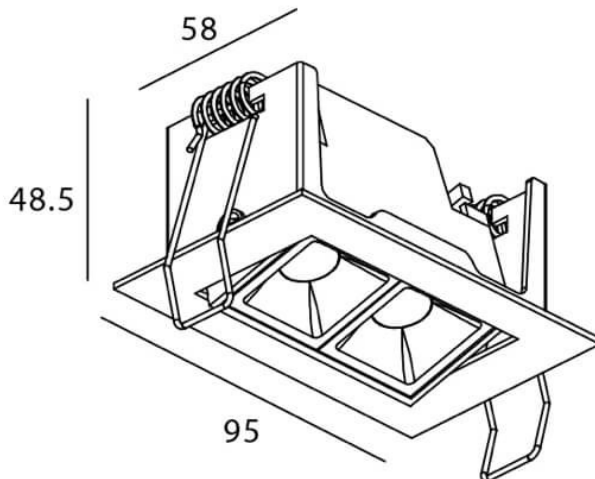


### Star-A

Lavov Downlights from the family Star-A ,power 4 W and CRI 90 with an optic 30 degrees made in Die Cast Aluminum finished in Black with a real lumen output of 240lm and an efficiency of 60lm/W. ON/OFF driver.

Item code	86.D031.2321.02
Product type	Indoor
Category	Downlights
Family	STAR
Subfamily	Star-A
Pictograms	

### Scheme



Product	
Real power (W)	4
Real luminous flux (Lm)	240
Luminous efficiency (Lm/W)	60
Beam angle (°)	30
Life time (h)	50000 h L80B10
IP	20
Electrical class insulation	Clas II
Colour	Black
U. G. R	<19
Control gear included	Yes
Control gear	ON/OFF
Flicker Free	Yes
Light source	LED
Type of LED	COB
Colour temperature (K)	3000
Colour consistency (SDCM)	SDCM<3
CRI	90