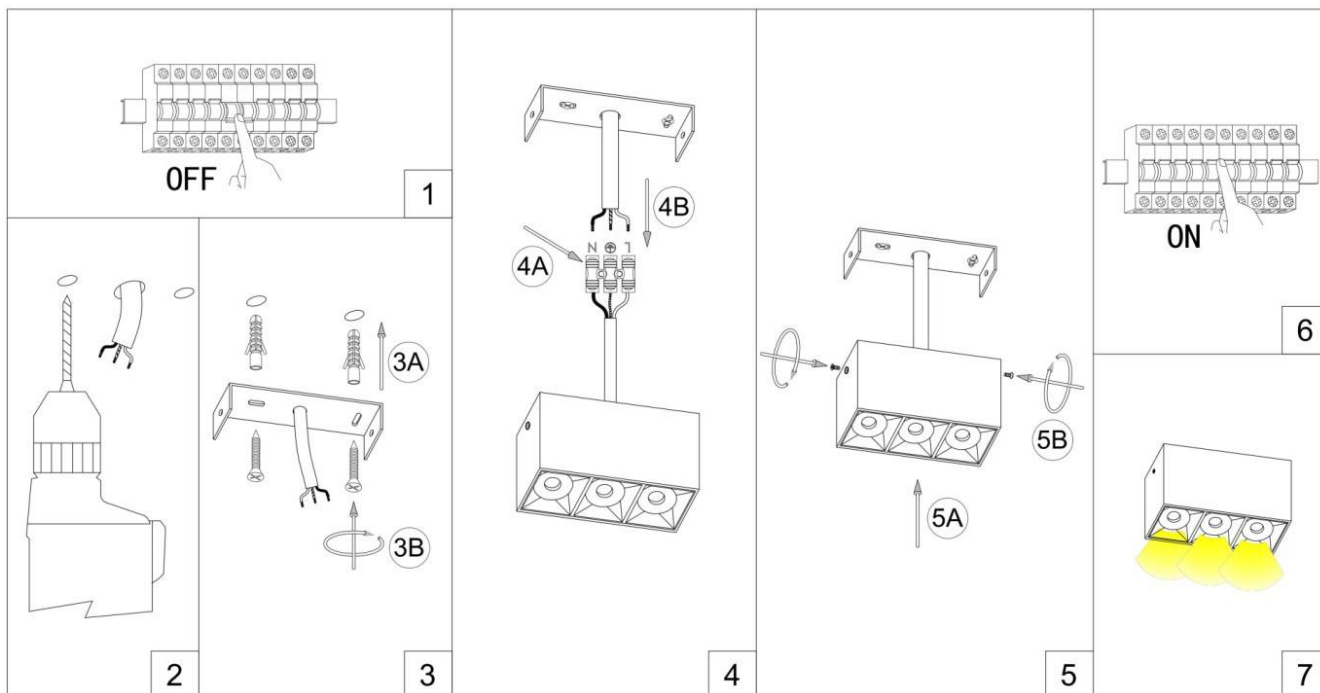




- Installation and wiring of luminaire must be in accordance with all applicable local codes.
- Installation, inspection, and maintenance of luminaires should be performed by a qualified electrician.
- DO NOT make or alter any open holes in the luminaire. Do not modify the luminaire.
- DO NOT install damaged product.
- Make sure electrical power is OFF before and during installation and maintenance.
- Make sure the equipment is properly grounded.
- Make sure the supply voltage is same as the rated fixture voltage.



- 1.SWITCH OFF MAIN
- 2.MAKE HOLE PATTERN
- 3.INSTALL THE BASE PLATE
- 4.CONNECT LAMP TO THE MAIN
- 5.DRIVE IN THE SCREWS UNTILL TIGHT
- 6.SWITCH ON THE MAIN AND LIGHT ON

