

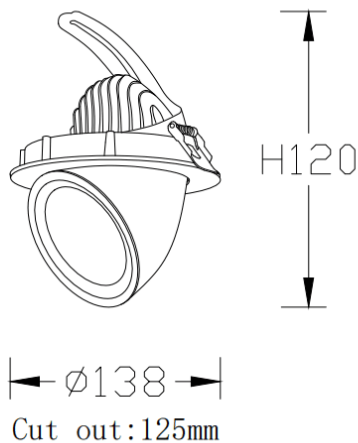


### TILT

Lavov downlight from the family TILT with a power of 25W and a beam angle of 15°. Finished in White colour. With a total lumen output of 2224lm and a luminous efficacy of 97.28lm/W. Made in Die Cast Aluminum. Driver DALI. CCT 3000K.

Item code	86.D039.3313.01
Product type	Indoor
Category	Downlights
Family	TILT
Pictograms	

### Scheme



Product	
Real power (W)	25
Real luminous flux (Lm)	2224
Luminous efficiency (Lm/W)	97.28
Beam angle (°)	15°
Life time (h)	50000 h L80B10
IP	20
Electrical class insulation	Clas II
Colour	White
Control gear included	Yes
Control gear	DALI
Flicker Free	Yes
Light source	LED
Type of LED	COB
Colour temperature (K)	3000
Colour consistency (SDCM)	SDCM3
CRI	80