

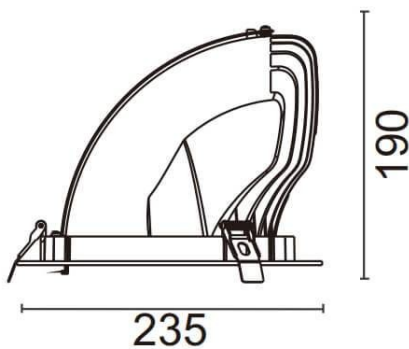


TILT

Lavov downlight from the family TILT with a power of 60W, CRI 80 and CCT 4000K, 40 degrees beam angle. With a total lumen output of 7210lm, and a luminous efficacy of 120lm/W. Made in Die Cast Aluminum and finished in White color. DALI driver.

Item code	86.D039.4433.01
Product type	Indoor
Category	Downlights
Family	TILT
Pictograms	

Scheme



Product	
Real power (W)	60
Real luminous flux (Lm)	7210
Luminous efficiency (Lm/W)	120
Beam angle (°)	40
Life time (h)	50000 h L80B10
IP	20
Electrical class insulation	Clas II
Colour	White
Control gear included	Yes
Control gear	DALI
Flicker Free	Yes
Light source	LED
Type of LED	COB
Colour temperature (K)	4000
Colour consistency (SDCM)	SDCM<3
CRI	80