

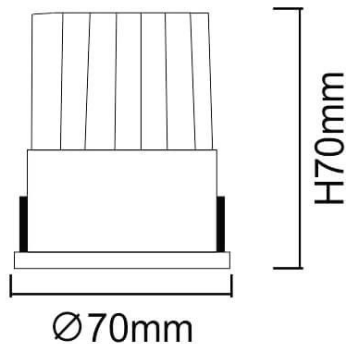


WALLWASH

Lavov Downlights from the family WALLWASH ,power 12 W and CRI 80 with an optic 24 degrees made in Die Cast Aluminum finished in White with a real lumen output of 1080lm and an efficiency of 90lm/W. ON/OFF driver.

Item code	86.D040.1411.01
Product type	Indoor
Category	Downlights
Family	WALLWASH
Pictograms	220 240 V CRI 80 CE Driver INCL. DALI IP 20 50000h L80B10

Scheme



Product	
Real power (W)	12
Real luminous flux (Lm)	1080
Luminous efficiency (Lm/W)	90
Beam angle (°)	24
Life time (h)	50000 h L80B10
IP	20
Electrical class insulation	Clas II
Colour	White
Control gear included	Yes
Control gear	ON/OFF
Flicker Free	Yes
Light source	LED
Type of LED	COB
Colour temperature (K)	4000
Colour consistency (SDCM)	SDCM<3
CRI	80