

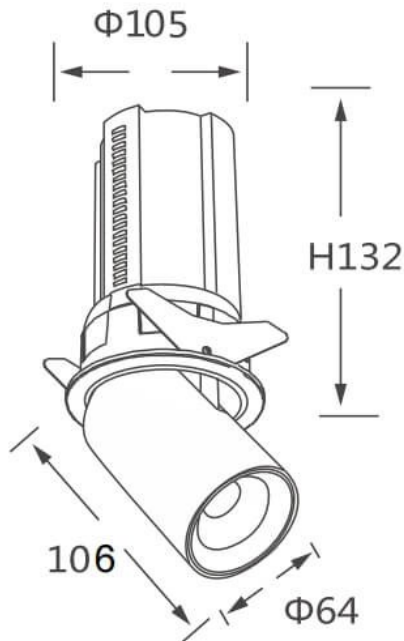


GAP R

Lavov downlight from the family GAP R with a power of 20W and a reflector of 55 degrees beam angle. With a total lumen output of 2000lm and an efficacy of 100lm/W. CCT 3000K. . Made in Die Cast Aluminum and finished in Black color. ON/OFF driver.

Item code	86.D046.2341.02
Product type	Indoor
Category	Downlights
Family	GAP
Subfamily	GAP R
Pictograms	

Scheme



Product	
Real power (W)	20
Real luminous flux (Lm)	2000
Luminous efficiency (Lm/W)	100
Beam angle (°)	55
Life time (h)	50000 h L80B10
Colour	Black
Control gear included	Yes
Control gear	ON/OFF
Flicker Free	Yes
Light source	LED
Type of LED	COB
Colour temperature (K)	3000K
Colour consistency (SDCM)	SDCM<3
CRI	90