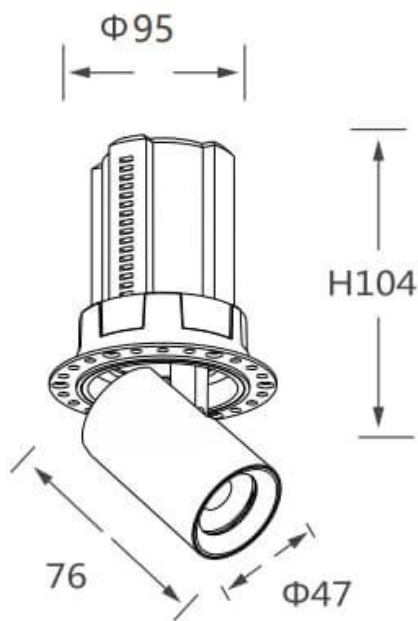




Scheme



GAP RT

Lavov downlight from the family GAP RT with a power of 15W and a reflector of 15 degrees beam angle. With a total lumen output of 1500lm and an efficacy of 100lm/W. CCT 4000K. . Made in Die Cast Aluminum and finished in Black color. DALI driver.

| | |
|---------------------|------------------------|
| Item code | 86.D048.2413.02 |
| Product type | Indoor |
| Category | Downlights |
| Family | GAP |
| Subfamily | GAP RT |
| Pictograms | |

| | |
|-----------------------------------|-----------------------|
| Product | |
| Real power (W) | 15 |
| Real luminous flux (Lm) | 1500 |
| Luminous efficiency (Lm/W) | 100 |
| Beam angle (°) | 15 |
| Life time (h) | 50000 h L80B10 |
| Colour | Black |
| Control gear included | Yes |
| Control gear | DALI |
| Flicker Free | Yes |
| Light source | LED |
| Type of LED | COB |
| Colour temperature (K) | 4000K |
| Colour consistency (SDCM) | SDCM<3 |
| CRI | 90 |