



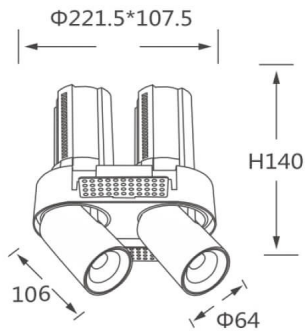
GAP RT2

Lavov downlight from the family GAP RT2 with a power of 2X20W and a reflector of 15 degrees beam angle. With a total lumen output of 4000lm and an efficacy of 100lm/W. CCT 3000K. .

Made in Die Cast Aluminum and finished in Black color. ON/OFF driver.

| | |
|---------------------|------------------------|
| Item code | 86.D048.5311.02 |
| Product type | Indoor |
| Category | Downlights |
| Family | GAP |
| Subfamily | GAP RT2 |
| Pictograms | |

Scheme



Product

| | |
|-----------------------------------|-----------------------|
| Real power (W) | 2X20 |
| Real luminous flux (Lm) | 4000 |
| Luminous efficiency (Lm/W) | 100 |
| Beam angle (°) | 15 |
| Life time (h) | 50000 h L80B10 |
| Colour | Black |
| Control gear included | Yes |
| Control gear | ON/OFF |
| Flicker Free | Yes |
| Light source | LED |
| Type of LED | COB |
| Colour temperature (K) | 3000K |
| Colour consistency (SDCM) | SDCM<3 |
| CRI | 90 |