



GAP RT2-Smart

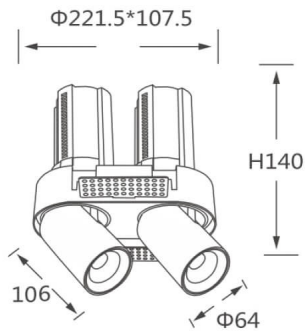
Lavov downlight from the family GAP RT2 with a power of 2X20W and a reflector of 15 degrees beam angle. With a total lumen output of 4000lm and an efficacy of 100lm/W. CCT 4000K. .

Made in Die Cast Aluminum and finished in White color.

Dimmable Casamby ready driver.

Item code	86.D048.5419.01
Product type	Indoor
Category	Downlights
Family	GAP
Subfamily	GAP RT2-Smart
Pictograms	

Scheme



Product

Real power (W)	2X20
Real luminous flux (Lm)	4000
Luminous efficiency (Lm/W)	100
Beam angle (°)	15
Life time (h)	50000 h L80B10
Colour	White
Control gear included	Yes
Control gear	Dimmable Casamby ready
Flicker Free	Yes
Light source	LED
Type of LED	COB
Colour temperature (K)	4000K
Colour consistency (SDCM)	SDCM<3
CRI	90