

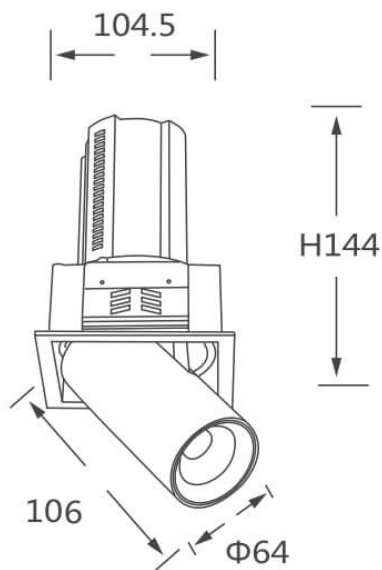


### GAP S

Lavov downlight from the family GAP S with a power of 20W and a reflector of 36 degrees beam angle. With a total lumen output of 2000lm and an efficacy of 100lm/W. CCT 4000K. . Made in Die Cast Aluminum and finished in White color. DALI driver.

Item code	86.D049.2433.01
Product type	Indoor
Category	Downlights
Family	GAP
Subfamily	GAP S
Pictograms	

### Scheme



Product	
Real power (W)	20
Real luminous flux (Lm)	2000
Luminous efficiency (Lm/W)	100
Beam angle (°)	36
Life time (h)	50000 h L80B10
Colour	White
Control gear included	Yes
Control gear	DALI
Flicker Free	Yes
Light source	LED
Type of LED	COB
Colour temperature (K)	4000K
Colour consistency (SDCM)	SDCM<3
CRI	90