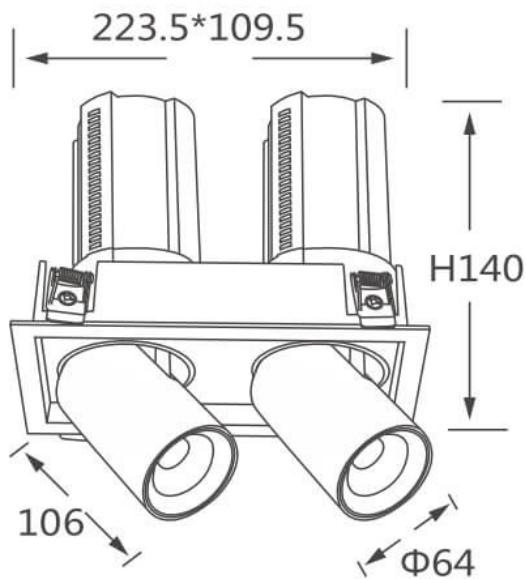


GAP S2-Smart

Lavov downlight from the family GAP S2 with a power of 2x20W and a reflector of 24 degrees beam angle. With a total lumen output of 4000lm and an efficacy of 100lm/W. CCT 3000K. . Made in Die Cast Aluminum and finished in White color. Dimmable Casamby ready driver.

Item code	86.D050.2329.01
Product type	Indoor
Category	Downlights
Family	GAP
Subfamily	GAP S2-Smart
Pictograms	

Scheme



Product	
Real power (W)	2x20
Real luminous flux (Lm)	4000
Luminous efficiency (Lm/W)	100
Beam angle (°)	24
Life time (h)	50000 h L80B10
Colour	White
Control gear included	Yes
Control gear	Dimmable Casamby ready
Flicker Free	Yes
Light source	LED
Type of LED	COB
Colour temperature (K)	3000K
Colour consistency (SDCM)	SDCM<3
CRI	90