

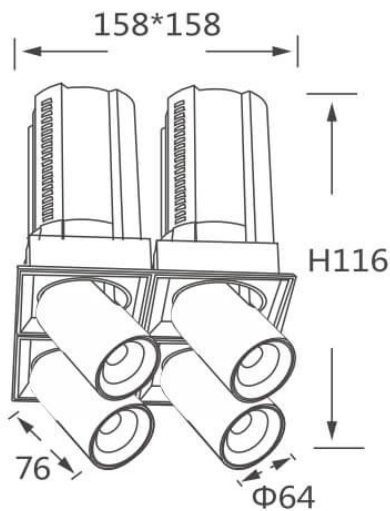


GAP S4

Lavov downlight from the family GAP S4 with a power of 4x12W and a reflector of 24 degrees beam angle. With a total lumen output of 4800lm and an efficacy of 100lm/W. CCT 4000K. . Made in Die Cast Aluminum and finished in Black color. DALI driver.

Item code	86.D052.1423.02
Product type	Indoor
Category	Downlights
Family	GAP
Subfamily	GAP S4
Pictograms	

Scheme



Product	
Real power (W)	4x12
Real luminous flux (Lm)	4800
Luminous efficiency (Lm/W)	100
Beam angle (°)	24
Life time (h)	50000 h L80B10
Colour	Black
Control gear included	Yes
Control gear	DALI
Flicker Free	Yes
Light source	LED
Type of LED	COB
Colour temperature (K)	4000K
Colour consistency (SDCM)	SDCM<3
CRI	90