

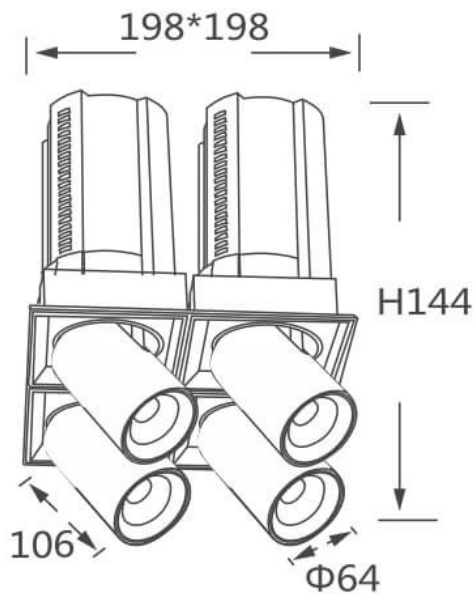


### GAP S4

Lavov downlight from the family GAP S4 with a power of 4x20W and a reflector of 24 degrees beam angle. With a total lumen output of 8000lm and an efficacy of 100lm/W. CCT 3000K. . Made in Die Cast Aluminum and finished in Black color. ON/OFF driver.

<b>Item code</b>	<b>86.D052.2321.02</b>
<b>Product type</b>	<b>Indoor</b>
<b>Category</b>	<b>Downlights</b>
<b>Family</b>	<b>GAP</b>
<b>Subfamily</b>	<b>GAP S4</b>
<b>Pictograms</b>	

### Scheme



<b>Product</b>	
<b>Real power (W)</b>	<b>4x20</b>
<b>Real luminous flux (Lm)</b>	<b>8000</b>
<b>Luminous efficiency (Lm/W)</b>	<b>100</b>
<b>Beam angle (°)</b>	<b>24</b>
<b>Life time (h)</b>	<b>50000 h L80B10</b>
<b>Colour</b>	<b>Black</b>
<b>Control gear included</b>	<b>Yes</b>
<b>Control gear</b>	<b>ON/OFF</b>
<b>Flicker Free</b>	<b>Yes</b>
<b>Light source</b>	<b>LED</b>
<b>Type of LED</b>	<b>COB</b>
<b>Colour temperature (K)</b>	<b>3000K</b>
<b>Colour consistency (SDCM)</b>	<b>SDCM&lt;3</b>
<b>CRI</b>	<b>90</b>