

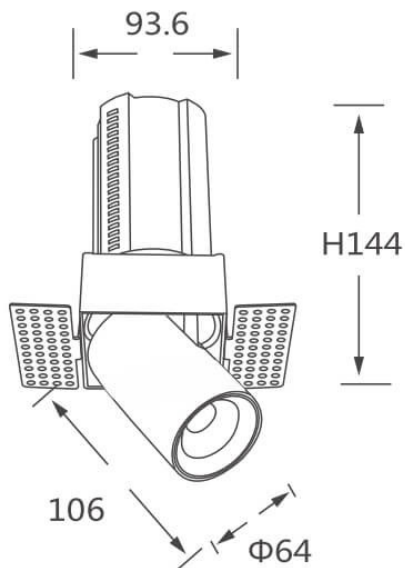


GAP TS

Lavov downlight from the family GAP TS with a power of 20W and a reflector of 15 degrees beam angle. With a total lumen output of 2000lm and an efficacy of 100lm/W. CCT 4000K. . Made in Die Cast Aluminum and finished in White color. DALI driver.

Item code	86.D053.2413.01
Product type	Indoor
Category	Downlights
Family	GAP
Subfamily	GAP TS
Pictograms	

Scheme



Product	
Real power (W)	20
Real luminous flux (Lm)	2000
Luminous efficiency (Lm/W)	100
Beam angle (°)	15
Life time (h)	50000 h L80B10
Colour	White
Control gear included	Yes
Control gear	DALI
Flicker Free	Yes
Light source	LED
Type of LED	COB
Colour temperature (K)	4000K
Colour consistency (SDCM)	SDCM<3
CRI	90