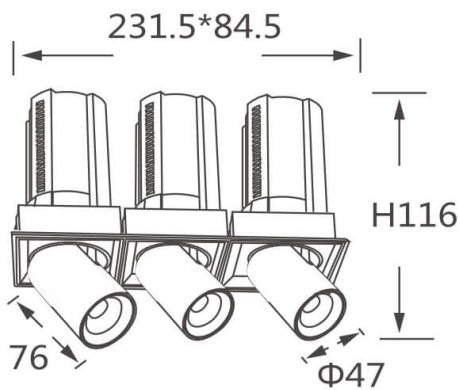




Scheme

**GAP TS3**

Lavov downlight from the family GAP TS3 with a power of 3x12W and a reflector of 24 degrees beam angle. With a total lumen output of 3600lm and an efficacy of 100lm/W. CCT 3000K. . Made in Die Cast Aluminum and finished in White color. DALI driver.

Item code	86.D055.1323.01
Product type	Indoor
Category	Downlights
Family	GAP
Subfamily	GAP TS3
Pictograms	

Product	
Real power (W)	3x12
Real luminous flux (Lm)	3600
Luminous efficiency (Lm/W)	100
Beam angle (°)	24
Life time (h)	50000 h L80B10
Colour	White
Control gear included	Yes
Control gear	DALI
Flicker Free	Yes
Light source	LED
Type of LED	COB
Colour temperature (K)	3000K
Colour consistency (SDCM)	SDCM<3
CRI	90