

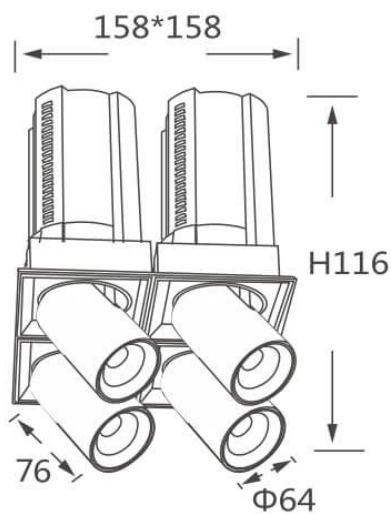


### GAP TS4

Lavov downlight from the family GAP TS4 with a power of 4x12W and a reflector of 15 degrees beam angle. With a total lumen output of 4800lm and an efficacy of 100lm/W. CCT 3000K. . Made in Die Cast Aluminum and finished in Black color. DALI driver.

|              |                 |
|--------------|-----------------|
| Item code    | 86.D056.1313.02 |
| Product type | Indoor          |
| Category     | Downlights      |
| Family       | GAP             |
| Subfamily    | GAP TS4         |
| Pictograms   |                 |

### Scheme



|                            |                |
|----------------------------|----------------|
| Product                    |                |
| Real power (W)             | 4x12           |
| Real luminous flux (Lm)    | 4800           |
| Luminous efficiency (Lm/W) | 100            |
| Beam angle (°)             | 15             |
| Life time (h)              | 50000 h L80B10 |
| Colour                     | Black          |
| Control gear included      | Yes            |
| Control gear               | DALI           |
| Flicker Free               | Yes            |
| Light source               | LED            |
| Type of LED                | COB            |
| Colour temperature (K)     | 3000K          |
| Colour consistency (SDCM)  | SDCM<3         |
| CRI                        | 90             |