

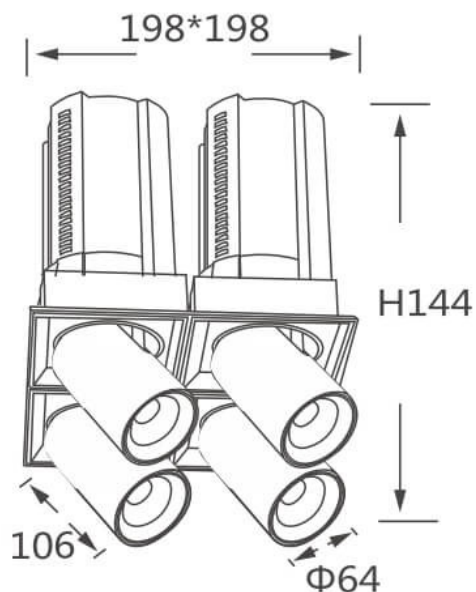


GAP TS4

Lavov downlight from the family GAP TS4 with a power of 4x20W and a reflector of 55 degrees beam angle. With a total lumen output of 8000lm and an efficacy of 100lm/W. CCT 3000K. . Made in Die Cast Aluminum and finished in Black color. DALI driver.

Item code	86.D056.2343.02
Product type	Indoor
Category	Downlights
Family	GAP
Subfamily	GAP TS4
Pictograms	

Scheme



Product	
Real power (W)	4x20
Real luminous flux (Lm)	8000
Luminous efficiency (Lm/W)	100
Beam angle (°)	55
Life time (h)	50000 h L80B10
Colour	Black
Control gear included	Yes
Control gear	DALI
Flicker Free	Yes
Light source	LED
Type of LED	COB
Colour temperature (K)	3000K
Colour consistency (SDCM)	SDCM<3
CRI	90