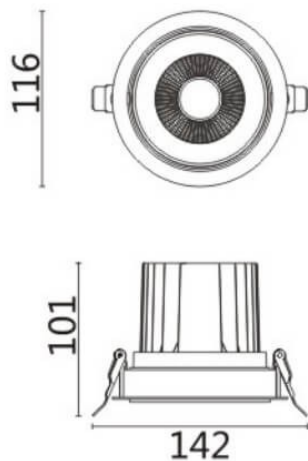





COMFORT A

Lavov downlight from the family COMFORT A with a power of 20W, CRI 80 and CCT 4000K, 12 degrees beam angle. With a total lumen output of 1660lm, and a luminous efficacy of 83lm/W. Made in Die Cast Aluminum and finished in White color. DALI driver.

Scheme



| | |
|--------------|---|
| Item code | 86.D060.2413.01 |
| Product type | Indoor |
| Category | Downlights |
| Family | COMFORT A |
| Pictograms |  |

| | |
|-----------------------------|----------------|
| Product | |
| Real power (W) | 20 |
| Real luminous flux (Lm) | 1660 |
| Luminous efficiency (Lm/W) | 83 |
| Beam angle (°) | 12 |
| Life time (h) | 50000 h L80B10 |
| IP | 20 |
| Electrical class insulation | Clas II |
| Colour | White |
| Control gear included | Yes |
| Control gear | DALI |
| Flicker Free | Yes |
| Light source | LED |
| Type of LED | COB |
| Colour temperature (K) | 4000 |
| Colour consistency (SDCM) | SDCM3 |
| CRI | 80 |