


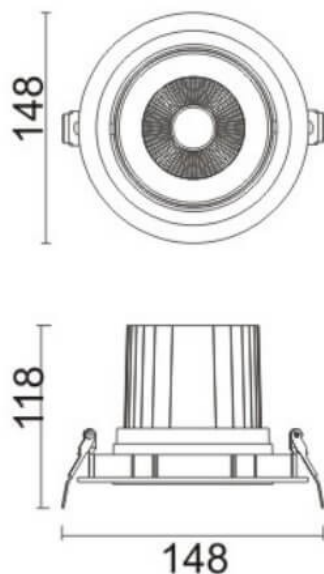


### COMFORT A

Lavov downlight from the family COMFORT A with a power of 30W, CRI 80 and CCT 3000K, 12 degrees beam angle. With a total lumen output of 2550lm, and a luminous efficacy of 85lm/W. Made in Die Cast Aluminum and finished in White color. DALI driver.

<b>Item code</b>	<b>86.D060.3313.01</b>
<b>Product type</b>	<b>Indoor</b>
<b>Category</b>	<b>Downlights</b>
<b>Family</b>	<b>COMFORT A</b>
<b>Pictograms</b>	

### Scheme



<b>Product</b>	
<b>Real power (W)</b>	<b>30</b>
<b>Real luminous flux (Lm)</b>	<b>2550</b>
<b>Luminous efficiency (Lm/W)</b>	<b>85</b>
<b>Beam angle (°)</b>	<b>12</b>
<b>Life time (h)</b>	<b>50000 h L80B10</b>
<b>IP</b>	<b>20</b>
<b>Electrical class insulation</b>	<b>Clas II</b>
<b>Colour</b>	<b>White</b>
<b>Control gear included</b>	<b>Yes</b>
<b>Control gear</b>	<b>DALI</b>
<b>Flicker Free</b>	<b>Yes</b>
<b>Light source</b>	<b>LED</b>
<b>Type of LED</b>	<b>COB</b>
<b>Colour temperature (K)</b>	<b>3000</b>
<b>Colour consistency (SDCM)</b>	<b>SDCM&lt;3</b>
<b>CRI</b>	<b>80</b>