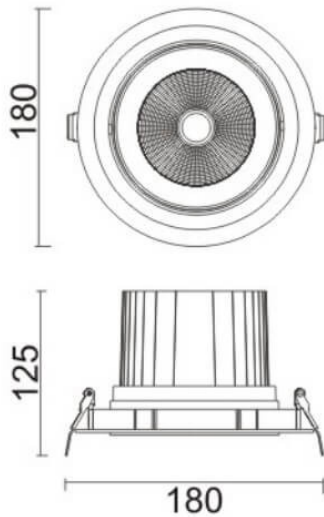





COMFORT A

Lavov downlight from the family COMFORT A with a power of 40W, CRI 80 and CCT 3000K, 24 degrees beam angle. With a total lumen output of 3200lm, and a luminous efficacy of 80lm/W. Made in Die Cast Aluminum and finished in Grey color. DALI driver.

Scheme



Item code	86.D060.4323.03
Product type	Indoor
Category	Downlights
Family	COMFORT A
Pictograms	

Product	
Real power (W)	40
Real luminous flux (Lm)	3200
Luminous efficiency (Lm/W)	80
Beam angle (º)	24
Life time (h)	50000 h L80B10
IP	20
Electrical class insulation	Clas II
Colour	Grey
Control gear included	Yes
Control gear	DALI
Flicker Free	Yes
Light source	LED
Type of LED	COB
Colour temperature (K)	3000
Colour consistency (SDCM)	SDCM<3
CRI	80