



**MOON**

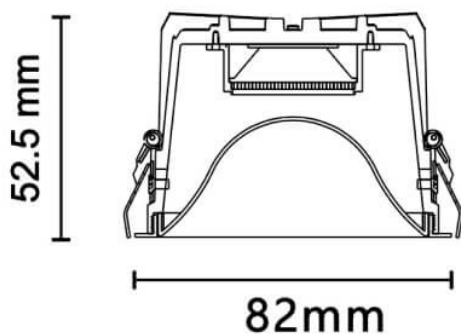
Lavov downlight from the family MOON with a power of 6.5W, CRI 90 and CCT 3000K, 81.09999999999994 degrees beam angle. With a total lumen output of 290.55lm, and a luminous efficacy of 44.7lm/W. Made in Die Cast Aluminum and finished in White color. ON/OFF driver.

<b>Item code</b>	<b>86.D061.1331.01</b>
<b>Product type</b>	<b>Indoor</b>
<b>Category</b>	<b>Downlights</b>
<b>Family</b>	<b>PLANET</b>
<b>Subfamily</b>	<b>MOON</b>

**Pictograms**



**Scheme**



<b>Product</b>	
<b>Real power (W)</b>	<b>6.5</b>
<b>Real luminous flux (Lm)</b>	<b>290.55</b>
<b>Luminous efficiency (Lm/W)</b>	<b>44.7</b>
<b>Beam angle (°)</b>	<b>81.1</b>
<b>Life time (h)</b>	<b>50000 h L80B10</b>
<b>IP</b>	<b>20</b>
<b>Electrical class insulation</b>	<b>Clas II</b>
<b>Colour</b>	<b>White</b>
<b>Control gear included</b>	<b>Yes</b>
<b>Control gear</b>	<b>ON/OFF</b>
<b>Flicker Free</b>	<b>Yes</b>
<b>Light source</b>	<b>LED</b>
<b>Type of LED</b>	<b>COB</b>
<b>Colour temperature (K)</b>	<b>3000</b>
<b>Colour consistency (SDCM)</b>	<b>SDCM&lt;3</b>
<b>CRI</b>	<b>90</b>