

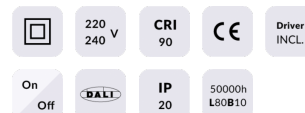


BLUESKY

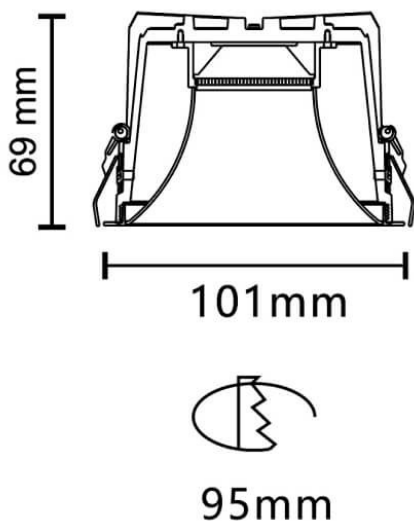
Lavov downlight from the family BLUESKY with a power of 14.92W, CRI 90 and CCT 3000K, 34.4 degrees beam angle. With a total lumen output of 1188.378lm, and a luminous efficacy of 79.65000000000006lm/W. Made in Die Cast Aluminum and finished in Black color. ON/OFF driver.

Item code	86.D062.2331.02
Product type	Indoor
Category	Downlights
Family	PLANET
Subfamily	BLUESKY

Pictograms



Scheme



Product	
Real power (W)	14.92
Real luminous flux (Lm)	1188.378
Luminous efficiency (Lm/W)	79.65
Beam angle (°)	34.4
Life time (h)	50000 h L80B10
IP	20
Electrical class insulation	Clas II
Colour	Black
Control gear included	Yes
Control gear	ON/OFF
Flicker Free	Yes
Light source	LED
Type of LED	COB
Colour temperature (K)	3000
Colour consistency (SDCM)	SDCM<3
CRI	90