

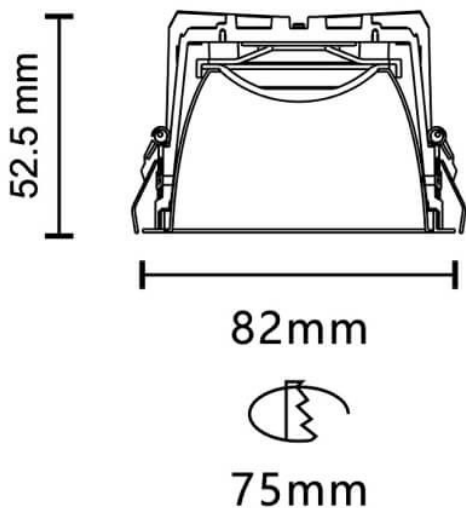


VENUS

Lavov downlight from the family VENUS with a power of 7.2W, CRI 90 and CCT 3000K, 93.3 degrees beam angle. With a total lumen output of 587.9500000000005lm, and a luminous efficacy of 81.61lm/W. Made in Die Cast Aluminum and finished in White color. ON/OFF driver.

| | |
|---------------------|------------------------|
| Item code | 86.D063.1331.01 |
| Product type | Indoor |
| Category | Downlights |
| Family | PLANET |
| Subfamily | VENUS |
| Pictograms | |

Scheme



| | |
|------------------------------------|--------------------------|
| Product | |
| Real power (W) | 7.2 |
| Real luminous flux (Lm) | 587.9500000000005 |
| Luminous efficiency (Lm/W) | 81.61 |
| Beam angle (°) | 93.3 |
| Life time (h) | 50000 h L80B10 |
| IP | 20 |
| Electrical class insulation | Clas II |
| Colour | White |
| Control gear included | Yes |
| Control gear | ON/OFF |
| Flicker Free | Yes |
| Light source | LED |
| Type of LED | COB |
| Colour temperature (K) | 3000 |
| Colour consistency (SDCM) | SDCM<3 |
| CRI | 90 |