



VENUS

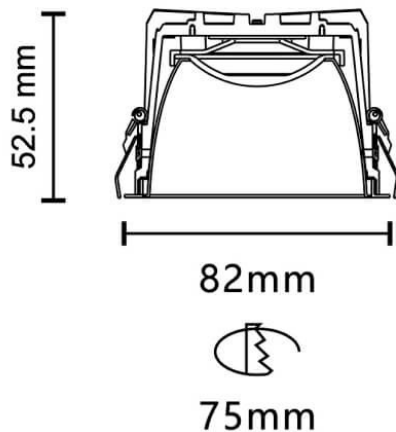
Lavov downlight from the family VENUS with a power of 7.2W, CRI 90 and CCT 3000K, 93.3 degrees beam angle. With a total lumen output of 587.95000000000005lm, and a luminous efficacy of 81.61lm/W. Made in Die Cast Aluminum and finished in Black color. ON/OFF driver.

Item code	86.D063.1331.02
Product type	Indoor
Category	Downlights
Family	PLANET
Subfamily	VENUS

Pictograms



Scheme



Product	
Real power (W)	7.2
Real luminous flux (Lm)	587.95000000000005
Luminous efficiency (Lm/W)	81.61
Beam angle (°)	93.3
Life time (h)	50000 h L80B10
IP	20
Electrical class insulation	Clas II
Colour	Black
Control gear included	Yes
Control gear	ON/OFF
Flicker Free	Yes
Light source	LED
Type of LED	COB
Colour temperature (K)	3000
Colour consistency (SDCM)	SDCM<3
CRI	90