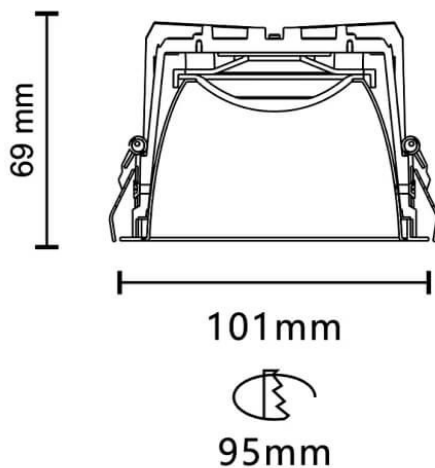


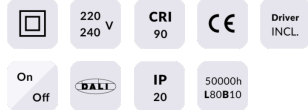


VENUS

Lavov downlight from the family VENUS with a power of 14.18W, CRI 90 and CCT 4000K, 94.1 degrees beam angle. With a total lumen output of 982.25lm, and a luminous efficacy of 69.25lm/W. Made in Die Cast Aluminum and finished in Black color. ON/OFF driver.

Scheme



Item code	86.D063.2431.02
Product type	Indoor
Category	Downlights
Family	PLANET
Subfamily	VENUS
Pictograms	

Product	
Real power (W)	14.18
Real luminous flux (Lm)	982.25
Luminous efficiency (Lm/W)	69.25
Beam angle (º)	94.1
Life time (h)	50000 h L80B10
IP	20
Electrical class insulation	Clas II
Colour	Black
Control gear included	Yes
Control gear	ON/OFF
Flicker Free	Yes
Light source	LED
Type of LED	COB
Colour temperature (K)	4000
Colour consistency (SDCM)	SDCM<3
CRI	90