



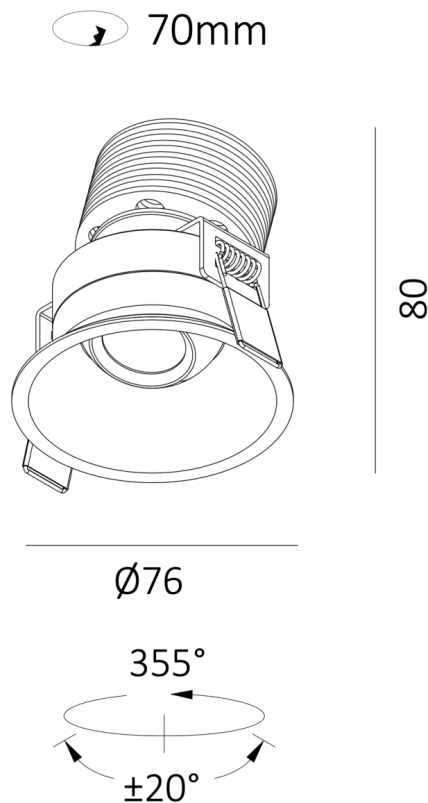
### SHOWER

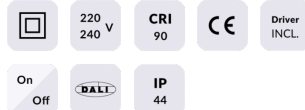
Lavov downlight from the family SHOWER with a power of 10W, CRI 90 and CCT 4000K, 50 degrees beam angle. UGR13. With a total lumen output of 780lm, and a luminous efficacy of 78lm/W. Made in Die Cast Aluminum and finished in White color. ON/OFF driver.

#### Dimensions

Product dimensions (mm) **φ76\*H80**

#### Scheme



Item code	86.D065.1431.01
Product type	Indoor
Category	Downlights
Family	SHOWER
Pictograms	

Product	
Real power (W)	10
Real luminous flux (Lm)	780
Luminous efficiency (Lm/W)	78
Beam angle (°)	50
Life time (h)	50000 h L80B20
IP	44
Electrical class insulation	Clas II
Colour	White
U. G. R	<13
Control gear included	Yes
Control gear	ON/OFF
Power Factor	>0,5
Flicker Free	Yes
Light source	LED
Type of LED	COB
Colour temperature (K)	4000
Colour consistency (SDCM)	SDCM<3
CRI	90