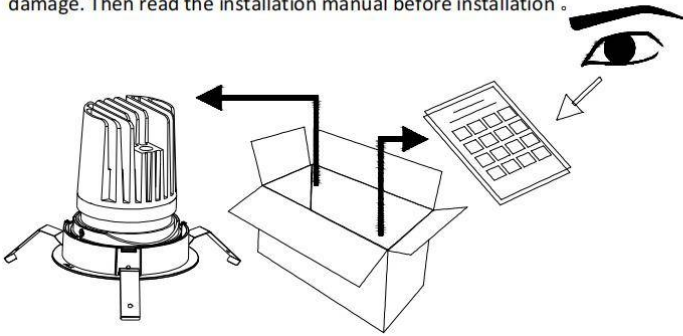


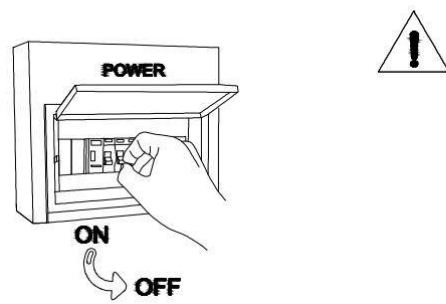


- Installation and wiring of luminaire must be in accordance with all applicable local codes.
- Installation, inspection, and maintenance of luminaires should be performed by a qualified electrician.
- DO NOT make or alter any open holes in the luminaire. Do not modify the luminaire.
- DO NOT install damaged product.
- Make sure electrical power is OFF before and during installation and maintenance.
- Make sure the equipment is properly grounded.
- Make sure the supply voltage is same as the rated fixture voltage.

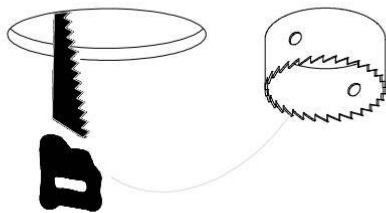
1. Unpack the lighting fixture and check whether there is any damage. Then read the installation manual before installation.



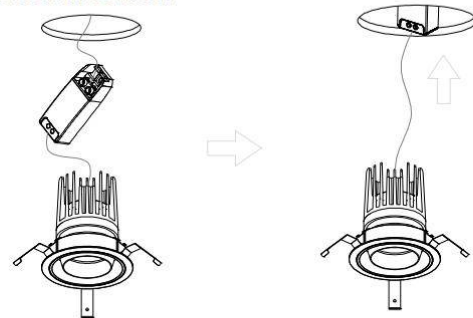
2. Turn off the power before installation.



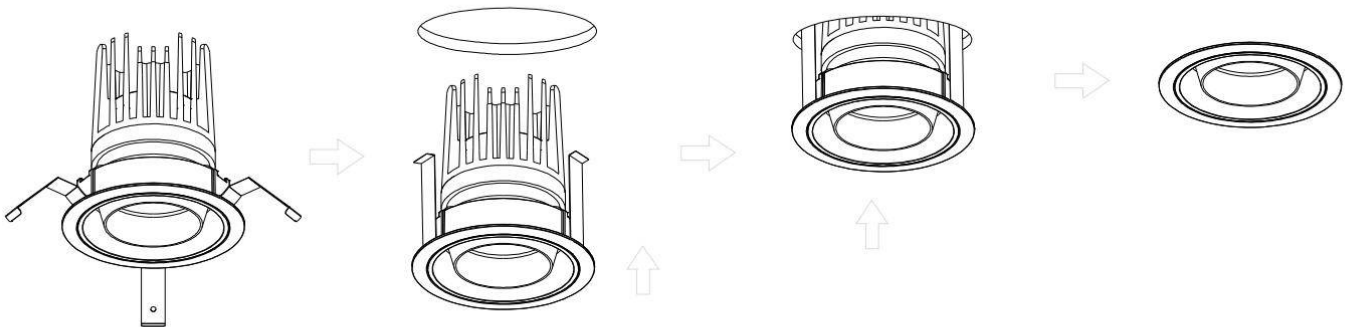
3. Open a hole on the ceiling by tools.



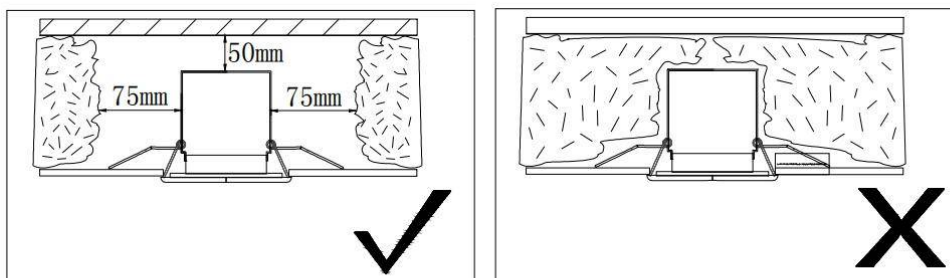
4. Connect the pre-installed wires to the lamp driver, place the driver behind the ceiling from the open hole. Attention! The driver cannot be covered.



5. Fold up the three shrapnel of the downlight, then install the downlight to the hole as shown to make sure the downlight cannot fall off.



6. Make sure the distance between the downlight and the object as shown. The downlight cannot be covered.



7. Switch it on to check the lighting effect and adjust the lamp direction for the target of accent lighting. Installation accomplished.

