



MINI 2

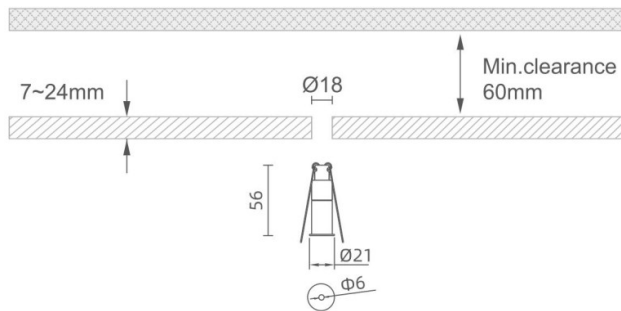
Lavov downlight from the family MINI with a power of 2W, CRI 90 and CCT 3000K, 15 degrees beam angle. With a total lumen output of 63lm, and a luminous efficacy of 31.5lm/W. Made in Die Cast Aluminum and finished in White color. DALI driver.

Item code	86.D068.2313.01
Product type	Indoor
Category	Downlights
Family	MINI
Subfamily	MINI 2
Pictograms	

Dimensions

Product dimensions (mm) Ø21*H56, hole diam 6mm

Scheme



Product	
Real power (W)	2
Real luminous flux (Lm)	63
Luminous efficiency (Lm/W)	31.5
Beam angle (°)	15
Life time (h)	50000 h L80B10
IP	20
Electrical class insulation	Clas III
Colour	White
U. G. R	<19
Control gear included	Yes
Control gear	DALI
Flicker Free	Yes
Light source	LED
Type of LED	SMD
Colour temperature (K)	3000
Colour consistency (SDCM)	SDCM<3
CRI	90