




### MINI 6

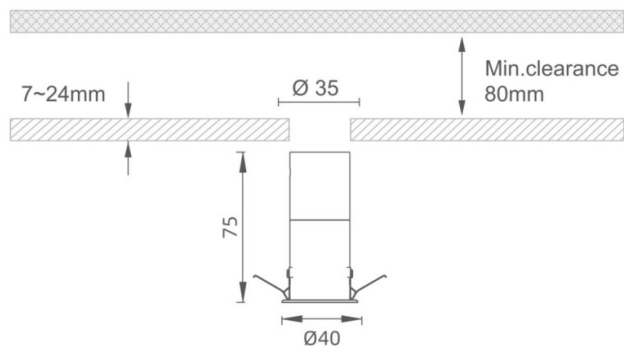
Lavov downlight from the family MINI with a power of 6W, CRI 90 and CCT 2700K, 15 degrees beam angle. With a total lumen output of 268lm, and a luminous efficacy of 44.666666666667lm/W. Made in Die Cast Aluminum and finished in White color. DALI driver.

<b>Item code</b>	<b>86.D072.1213.01</b>
<b>Product type</b>	<b>Indoor</b>
<b>Category</b>	<b>Downlights</b>
<b>Family</b>	<b>MINI</b>
<b>Subfamily</b>	<b>MINI 6</b>
<b>Pictograms</b>	

### Dimensions

**Product dimensions (mm)** **Ø40\*H75**

### Scheme



<b>Product</b>	
<b>Real power (W)</b>	<b>6</b>
<b>Real luminous flux (Lm)</b>	<b>268</b>
<b>Luminous efficiency (Lm/W)</b>	<b>44.666666666667</b>
<b>Beam angle (°)</b>	<b>15</b>
<b>Life time (h)</b>	<b>50000 h L80B10</b>
<b>IP</b>	<b>20</b>
<b>Electrical class insulation</b>	<b>Clas III</b>
<b>Colour</b>	<b>White</b>
<b>U. G. R</b>	<b>&lt;19</b>
<b>Control gear included</b>	<b>Yes</b>
<b>Control gear</b>	<b>DALI</b>
<b>Flicker Free</b>	<b>Yes</b>
<b>Light source</b>	<b>LED</b>
<b>Type of LED</b>	<b>SMD</b>
<b>Colour temperature (K)</b>	<b>2700</b>
<b>Colour consistency (SDCM)</b>	<b>SDCM&lt;3</b>
<b>CRI</b>	<b>90</b>