



MINI 6

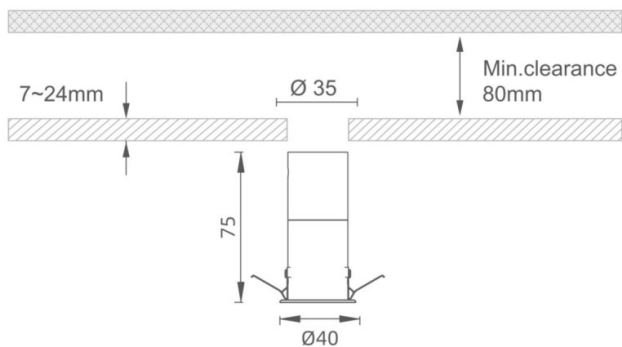
Lavov downlight from the family MINI with a power of 6W, CRI 90 and CCT 3000K, 24 degrees beam angle. With a total lumen output of 280lm, and a luminous efficacy of 46.666666666667lm/W. Made in Die Cast Aluminum and finished in White color. DALI driver.

| | |
|---------------------|------------------------|
| Item code | 86.D072.1323.01 |
| Product type | Indoor |
| Category | Downlights |
| Family | MINI |
| Subfamily | MINI 6 |
| Pictograms | |

Dimensions

Product dimensions (mm) **Ø40*H75**

Scheme



| | |
|------------------------------------|------------------------|
| Product | |
| Real power (W) | 6 |
| Real luminous flux (Lm) | 280 |
| Luminous efficiency (Lm/W) | 46.666666666667 |
| Beam angle (°) | 24 |
| Life time (h) | 50000 h L80B10 |
| IP | 20 |
| Electrical class insulation | Clas III |
| Colour | White |
| U. G. R | <19 |
| Control gear included | Yes |
| Control gear | DALI |
| Flicker Free | Yes |
| Light source | LED |
| Type of LED | SMD |
| Colour temperature (K) | 3000 |
| Colour consistency (SDCM) | SDCM<3 |
| CRI | 90 |