



**MINI 6**

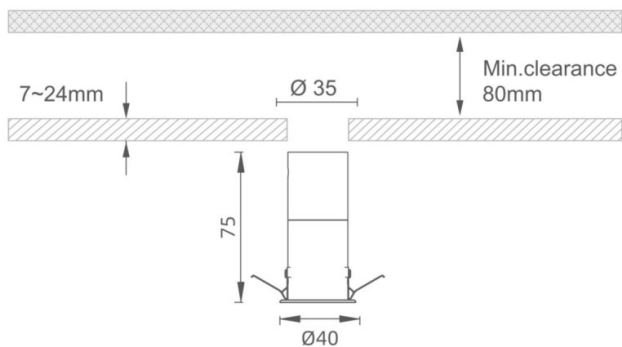
Lavov downlight from the family MINI with a power of 6W, CRI 90 and CCT 3000K, 24 degrees beam angle. With a total lumen output of 280lm, and a luminous efficacy of 46.666666666667lm/W. Made in Die Cast Aluminum and finished in Black color. DALI driver.

<b>Item code</b>	<b>86.D072.1323.02</b>
<b>Product type</b>	<b>Indoor</b>
<b>Category</b>	<b>Downlights</b>
<b>Family</b>	<b>MINI</b>
<b>Subfamily</b>	<b>MINI 6</b>
<b>Pictograms</b>	

**Dimensions**

**Product dimensions (mm)** **Ø40\*H75**

**Scheme**



<b>Product</b>	
<b>Real power (W)</b>	<b>6</b>
<b>Real luminous flux (Lm)</b>	<b>280</b>
<b>Luminous efficiency (Lm/W)</b>	<b>46.666666666667</b>
<b>Beam angle (°)</b>	<b>24</b>
<b>Life time (h)</b>	<b>50000 h L80B10</b>
<b>IP</b>	<b>20</b>
<b>Electrical class insulation</b>	<b>Clas III</b>
<b>Colour</b>	<b>Black</b>
<b>U. G. R</b>	<b>&lt;19</b>
<b>Control gear included</b>	<b>Yes</b>
<b>Control gear</b>	<b>DALI</b>
<b>Flicker Free</b>	<b>Yes</b>
<b>Light source</b>	<b>LED</b>
<b>Type of LED</b>	<b>SMD</b>
<b>Colour temperature (K)</b>	<b>3000</b>
<b>Colour consistency (SDCM)</b>	<b>SDCM&lt;3</b>
<b>CRI</b>	<b>90</b>