



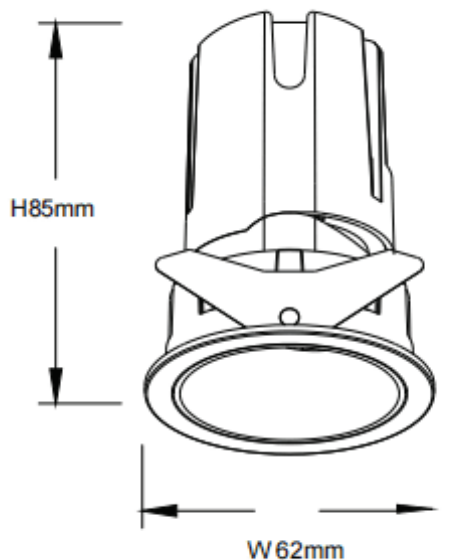
### ZENITH IP65R

Lavov downlight from the family ZENITH IP65R with a power of 10W and a 60 degrees beam angle. CCT 3000K. White color. With a total lumen output of 800lm and a luminous efficacy of 80lm/W. Made in Die Cast Aluminum. IP65 degree of protection. Class II isolation. ON/OFF driver. UGR19. CRI90.

#### Dimensions

Product dimensions (mm)  $\Phi 62 \times 85 \text{mm}$

#### Scheme



#### Photometry

|              |                 |
|--------------|-----------------|
| Item code    | 86.D084.0341.01 |
| Product type | Indoor          |
| Category     | Downlights      |
| Family       | ZENITH          |
| Subfamily    | ZENITH IP65R    |
| Pictograms   |                 |

|                             |                |
|-----------------------------|----------------|
| <b>Product</b>              |                |
| Real power (W)              | 10             |
| Real luminous flux (Lm)     | 800            |
| Luminous efficiency (Lm/W)  | 80             |
| Beam angle (&ordm;)         | 60             |
| Life time (h)               | 50000 h L80B10 |
| IP                          | 65             |
| Electrical class insulation | Clas II        |
| Colour                      | White          |
| U. G. R                     | 19             |
| Control gear included       | Yes            |
| Control gear                | ON/OFF         |
| Flicker Free                | Yes            |
| Light source                | LED            |
| Type of LED                 | COB            |
| Colour temperature (K)      | 3000           |
| Colour consistency (SDCM)   | SDCM<3         |
| CRI                         | 90             |

